

CONTRACOR®

EN

BRS Blast Recovery System (closed circuit)

OPERATION MANUAL

Version 2.2

DE

BRS Staubfreies Strahl- und Rückgewinnungssystem (geschlossener Kreislauf)

BEDIENUNGSANLEITUNG

Version 2.2

Seite 31

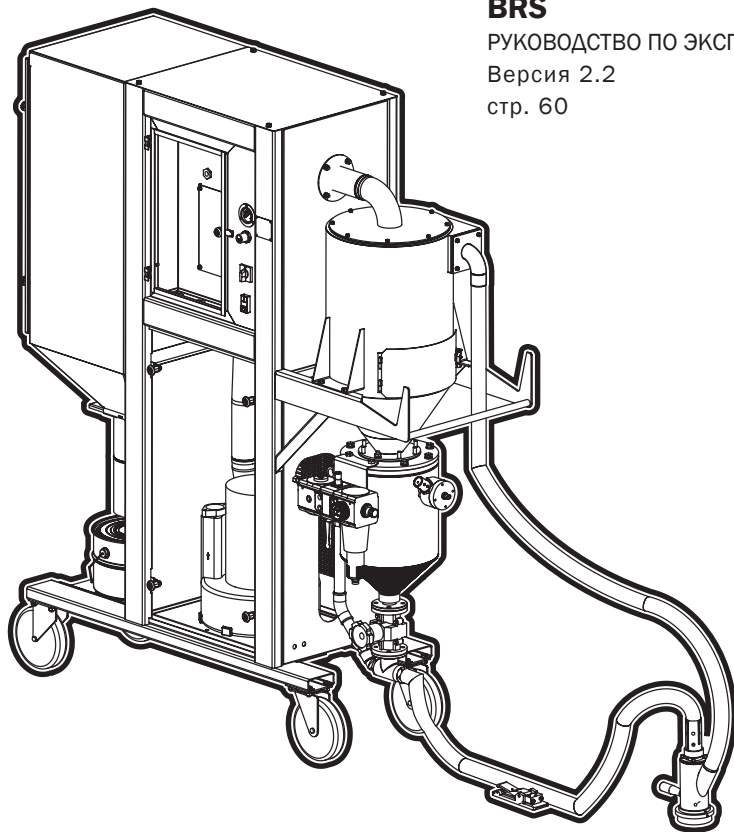
RU

Установка беспыльной абразивоструйной очистки BRS

РУКОВОДСТВО ПО ЭКСПЛУАТАЦИИ

Версия 2.2

стр. 60





Carefully familiarise yourself with the technical documentation, operating instructions and safety guidelines. Most accidents associated with the use of compressor equipment occur as a result of non-compliance with safety guidelines. Prevent hazards from developing and adhere to the safety guidelines. The main rules are given in the following section.



The manufacturer reserves the right to make changes to a product's design without notifying the user.

© Contracor ®. All rights reserved.

No part of the text and /or diagram may be reprinted or used without the prior written permission of Contracor.

The manufacturer reserves the right to make changes to a product design in order to enhance its technological and operational parameters without notifying the user.

The product type may considerably differ to that displayed in documents.

Contents

Safety guidelines

- 1.1 Symbols used in instructions
- 1.2 General safety guidelines
- 1.3 Safety precautions for installation
- 1.4 Safety precautions during operation
- 1.5 Safety precautions for maintenance and repair

System and mechanism

- 2.1 Technical information
- 2.2 Function
- 2.3 Mechanism

Installation

- 3.1 Lifting
- 3.2 Dimensions
- 3.3 Preparation of facility
- 3.4 Connection to compressed-air line
- 3.5 Pneumatic diagram
- 3.6 Connection to power supply and electrical diagram

Usage

- 4.1 Abrasive loading and unloading
- 4.2 Setup
- 4.3 Abrasive blasting
- 4.4 Pausing and terminating abrasive blasting

Adjustment

- 5.1 Adjusting cleaning pressure
- 5.2 Changing abrasive quantity fed to nozzle
- 5.3 Adjusting filter cleaning




Maintenance

- 6.1 Preventative maintenance
- 6.2 Servicing


Fault handling

1. Safety guidelines.

1.1 Symbols used in the instructions.

	Lethal hazard!
	Warning
	Attention!

1.2 General safety guidelines.

	The user is solely liable for injuries or damages which occur due to non-compliance with safety guidelines during installation, operation or servicing, as well as unauthorised use of equipment!
---	---

1. The operator must stringently adhere to safety guidelines provided for by these instructions and local legislation!
2. When choosing between these safety guidelines and the regulations provided for by local legislation, those rules which provide for more stringent requirements shall apply.
3. Only trained maintenance personnel with the relevant level of professional training are permitted to operate, service and repair Contracor equipment.

4. Compressed air flowing immediately from the compressor may contain oil and impurities and is not suitable for breathing! Compressed air has to be purified to an air purity grade suitable for breathing, in accordance with the standards prescribed by local legislation.
5. Compressed air is an extremely hazardous energy source. Compressed air must not be used for unintended purposes! Do not use it to clean clothing and footwear and never point compressed air hoses at people and animals! When using air to clean equipment, take extra caution and wear safety goggles!
6. All maintenance, repair, setup and installation work etc. must be performed while the equipment is turned off, disconnected from the power source, with compressed-air hoses disconnected from the equipment, and with the use of safety goggles! Ensure that equipment is disconnected from the compressed air system and is not under pressure.

1.3 Safety precautions for installation.



The user is solely liable for injuries or damages which occur due to non-compliance with safety guidelines during installation, operation or servicing, as well as unauthorised use of equipment!

1. Equipment must only be unloaded/loaded using the appropriate handling devices or hoisters. Equipment must not be manually lifted or moved. Do not leave equipment suspended. Use a helmet during unloading operations.
2. Arrange the equipment in a dry and clean facility which provides shelter from precipitation. The facility must be well ventilated, and forced ventilation should be provided if necessary. Access to all maintenance doors and areas as well as easy handling of large components should be ensured.
3. Worn, damaged or spoiled compressed-air hoses should not be used. Ensure that hoses correspond to the equipment in terms of nominal diameter and working pressure.
4. When using several compressor stations in a system, each compressor must have a manually operated valve for cutting off any of the compressors in the case of emergency.
5. Explosive and fire-hazardous admixtures such as solvent vapours and carbon dust etc. must not be released into the atmosphere.
6. Ensure unrestricted access to the compressed-air hose from the compressor. Do not clutter it and do not store flammable materials in its immediate vicinity.
7. Do not pinch or deform the compressed-air feed hoses.
8. Do not cover holes used to provide equipment with air for cooling. Ensure the facility is well ventilated.

- Equipment must be earthed. Provide short-circuit protection. The starting knife switch must be in the immediate vicinity of the equipment and protect against unauthorised start-up.



The user bears full responsibility for compliance with the operating conditions of the electrical motor installed in the equipment.

Equipment must be used with protection devices. The protection devices must protect the electric motor from short circuits, overloading (systematic and start-up) and open-phase conditions. Installation of protection devices is the responsibility of the user.

1.4 Safety precautions during operation.



The user is solely liable for injuries or damages which occur due to non-compliance with safety guidelines during installation, operation or servicing, as well as unauthorised use of equipment!

- Ensure that hoses correspond to the equipment in terms of nominal diameter and working pressure. Check the attachment of every hose coupling before start-up. An insecurely fastened hose may cause serious injury.
- Never turn on equipment if you suspect the presence of highly flammable impurities in the air!
- The operator remotely controlling equipment must ensure that no installation or other work is being performed with the equipment at that moment! An information plate must be affixed to the equipment in relation to this: 'ATTENTION: this machine is being controlled remotely and may start operating without warning!'
- An operator is not allowed to operate equipment if the operator is fatigued, in a state of intoxication from alcohol, drugs or medicine that reduces the body's reaction time.
- The equipment must not be operated if parts of the casing have been removed. Doors or panels may be opened for short durations for inspection and scheduled checks. It is advisable to wear hearing protection.



In some types of equipment, open doors or removal of panels during operation may lead to overheating.

6. Personnel in conditions or a facility where the sound pressure level reaches or exceeds 90 dB (A), must wear ear protectors.
7. If the air used for cooling equipment is used while the facility is being heated, undertake measures for it to be filtered so that it is suitable for breathing.
8. Regularly check that:
 - safety devices and attachments are in place;
 - all hoses and pipes are in good condition and sealed;
 - there are no leaks;
 - brackets and structural components are tightened;
 - all electrical cables and contacts are in good condition and safe to use;
 - safety devices are fully functional and there is no contamination etc;
 - all structural components are in working order, with no signs of wear and tear.

1.5 Safety precautions for maintenance and repair.



The user is solely liable for injuries or damages which occur due to non-compliance with safety guidelines during installation, operation or servicing, as well as unauthorised use of equipment!

1. Only original spare parts and ancillary items may be used. Using spare parts from other manufacturers may lead to unpredictable results and consequently accidents.
2. When performing installation and repair work, always wear goggles!
3. Before connecting or disconnecting equipment, disconnect it from the main pneumatic system. Ensure that the hoses aren't under pressure!
4. Before beginning installation or other work, ensure that equipment is not pressurised. Installation work must not be carried out on equipment under pressure.
5. All maintenance work should be carried out only when the temperature of all structural elements falls to room temperature.
6. Never use highly flammable solvents or carbon tetrachloride for cleaning structural elements. When wiping, take precautions against the poisonous vapours of cleaning fluids.

7. When carrying out installation and repair work, an information plate should be affixed to the control panel to warn against unauthorised start-up. For example, "Do not turn on. Personnel operating!"
8. The operator remotely controlling equipment must ensure that no installation or other work is being performed with the equipment at that moment! An information plate must be affixed to the equipment in relation to this: See 1.3.9.
9. Maintain cleanliness in the facility where the equipment is installed. Close open inlets and outlets during installation with dry clothes or paper to prevent rubbish entering the equipment.
10. Welding or other similar operations must not be carried out in the immediate vicinity of the equipment and vessels under pressure.
11. If there is any suspicion of overheating, combustion or other emergency, turn off the equipment. Immediately disconnect it from the power supply. Do not open the doors of equipment until the temperature falls to room temperature, in order to prevent burns or injury.
12. Naked fls must not be used as a light source for inspecting and checking equipment.
13. Never use caustic solvents, which may damage materials of the pneumatic system
14. After performing installation or other work, ensure that no instruments, rags or spare parts have been left inside the equipment.
15. Before beginning work in normal mode after maintenance or repair work, check that the working pressure, temperature and other characteristics are correctly set. Ensure that all control devices are installed and functioning properly.
16. When replacing fi ers, separators etc., wipe away dust, dirt and oil residue from the area where they are installed with a dry cloth.
17. Protect the motor, air fi er, electrical components and control components etc. from coming into contact with condensate. For instance, blow down with dry air. Use protective gloves during installation and repair work in order to avoid burns and injury (for instance, during oil change).

2. System and mechanism.



Non-compliance with these instructions, the use of non-original replacement parts and the lack of a warranty certificate may render any guarantee void.

2.1 Technical information.

The main characteristics of the Contractor BRS-5 blast machine are given below:

Characteristics	BRS-5
Capacity of abrasive blast machine, l	50
Maximum compressed-air pressure, bar	10
Static pressure, mbar	290
Rated power of vacuum pump, kW	5,5
Filter area, m ²	7,5
Nozzle, mm	6,5
Mass, kg	395
Blast hose length, m	5
Maximum blast hose length, m	10

Abrasive type	aluminium oxide, steel grit
Max. Abrasive size aluminium oxide, mm	1,5
Max. Abrasive size steel grit, mm	1 (G40)

Surface	Obtained surface quality	Average production
Steel (Steel: millscale, coatings and/or corrosion)	2(02) / SA 2-1/2	4-6 mtr ² /hr
Weld seams: steel		70-80 mtr/hr

* All mentioned values are averages and may vary due to surface conditions, abrasive quality, machine use and experiences of the operator.

2.2 Function.

The Contractor BRS blast machine is designed for the effective abrasive blasting of metal structures and components while keeping the surrounding working area clean. Abrasive blasting is used to remove various non-greasy contaminants, welding burr and wire edge, and provide roughness, surface hardening and decorative properties by using recirculated abrasive.

Owing to the vacuum system of abrasive recovery, abrasive blasting can be performed outside dedicated facilities and chambers without contaminating the surrounding area with abrasive and the particles from treated surfaces. Another advantage of this machine is that the close-loop system and the cleaning area dust-removal system require minimal protective measures for ensuring operator safety.

2.3 Mechanism.

Compressed air is fed from the compressor to the pneumatic unit (1). Air is fed continuously from the pneumatic unit (1) into the pressure vessel (8) and to the remote-control handle (2). A solenoid pulse cut-off valve with a timer (9) is installed on the pressure vessel (8), which is designed to feed air briefly at regular time intervals to the filter (12) in the filter chamber (6) in order to shake it and clear dust deposits. The remote-control handle (2) in its normal (not pressed) state vents the air fed to it into the atmosphere, and in its pressed state feeds the air first to the solenoid safety valve and then to the proportioning valve of the pneumatic unit (1).

When the machine is switched on (by turning the knife switch and pressing the green button on the panel of the electric box (13)), power is supplied to the solenoid safety valve and the electric vacuum pump (3). The solenoid safety valve opens. The vacuum pump (3) creates negative pressure in the filter chamber (6), cyclone separator (5) and in the working cavity of the vacuum head (4).

The solenoid safety valve does not allow abrasive blast cleaning of a working surface while the vacuum pump (3) is switched off.

When the button on the remote-control handle (2) (after turning on the apparatus) is pressed, air enters the proportioning valve of the pneumatic unit (1), opening it and allowing a flow of compressed air to pass from the compressor into the blast machine (7). Downstream of the proportioning valve, air enters the discharge valve (10), opening it in the process.

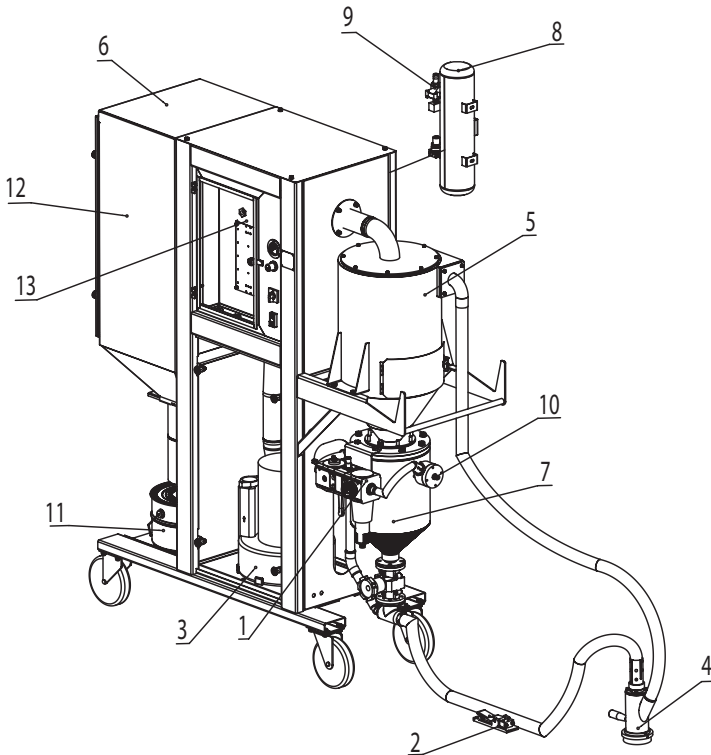
Air supplied to the blast machine (7) (when the discharge valve is closed) causes its hermetic sealing: the tank's cut-off valve rises and cuts off the tank's internal space from the internal space of the cyclone. The tank pressure rises to the value set by the operator using the pressure regulator and manometer on the electric box panel (13). Excess pressure in the blast machine (7) causes the abrasive, filled beforehand into the tank through the door of the cyclone separator (5), to pass together with the compressed air through the blast hose to the vacuum head (4) nozzle.

In this way, a blast mixture of air and abrasive leaves the nozzle for treating the working surface. Owing to the negative pressure, abrasive and dirt particles rebounding off the surface enter the cyclone separator (5). In the cyclone separator (5), heavier particles lose their kinetic energy and fall down through a screen (for separating out large dirt particles) towards the cut-off valve of the blast machine (7) in order to enter the blast machine (7) again when it is depressurised.

In this way, the abrasive is used cyclically. Lighter particles pass through the cyclone separator (5) into the filter chamber (6), where they are caught by the filter (12). The heavier particles that have passed into the filter chamber fall downwards and accumulate in the dust collector (11).

When the surface blasting is completed, the operator removes his/her hand from the remote-control handle (2). The proportioning valve of the pneumatic unit (1) closes. The main flow of compressed air into the blast machine (7) stops. The discharge valve (10) opens and bleeds excess air from the blast machine (7) into the filter chamber (6). The cut-off valve of the tank (7) opens, and the abrasive that has accumulated in the cyclone separator (5) re-enters the blast machine (7).

Fig. 2.3.



3. Installation.

3.1 Lifting.

Visually inspect for damages to packaging, and if there are no damages, then place the unit near the site chosen for installation and unpack the unit. Equipment must only be moved using the appropriate handling devices or hoisters.

Equipment must not be manually lifted or moved. Even when packaged, store the equipment in a place shielded from weather conditions.

Handle with care. Heavy impacts (bumps and falls) may cause irreparable damage. Handle with care. Heavy blows (jerking, falling) can cause irreparable damage.



The presence of dents, chips and other damages may invalidate the warranty.

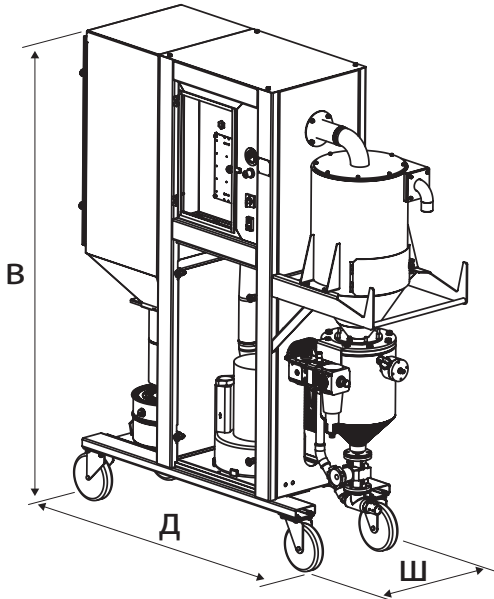



Fig. 3.2.

3.2 Dimensions.

Dimensions of BRS-5 machine			
Width, mm	Length, mm	Height, mm	Mass, kg
545	1795	1820	355/395

3.3 Preparation of facility .

	<p>Placing the machine in unsuitable environments can diminish its performance as a result of overloading. Such cases provide no guaranteed performance.</p>
---	--

Requirements for installation:

- the facility must be clean, dust-free, dry and protected against atmospheric conditions;
- the floor of the facility must be flat and level and sustain the weight of the machine;
- the machine is portable and doesn't require fastening to the floor;
- free access to all maintenance doors and areas should be ensured.

3.4 Connection to compressed-air line.

All work associated with connecting compressor equipment must be carried out with the pneumatic system not under pressure.

Connecting to the compressed air line should only be carried out by a qualified specialist. The required air compressor capacity is determined by the blast nozzle size and pressure.

Ø of blast nozzle, mm	REQUIRED FLOW RATE OF COMPRESSED AIR, m3/min at working pressure, bar			
	3,0	4,0	5,0	6,0
5,0	0,7	0,8	0,9	1,0
6,5	1,3	1,5	1,7	1,9
8,0	2,0	2,5	2,0	3,3

NOTE: the above table shows only the air required for the blast nozzle. Additional air is required for the air cartridge cleaning, which must be added to the above values. The above values are valid for nozzles when new. As nozzle wear increases, so does the air consumption, up to 70% to 80% more than when new.



Exceeding the permissible pressure may lead to operator injury and equipment damage. The user is liable for any consequences of exceeding the pressure value indicated in this manual.

The machine's inlet pipe has to be connected to the compressed-air line using a flexible hose with a minimum internal diameter of 1" (I.D = 1"). Using a hose which has a smaller diameter may diminish the effectiveness of the abrasive blasting.

3.5 Pneumatic diagram.

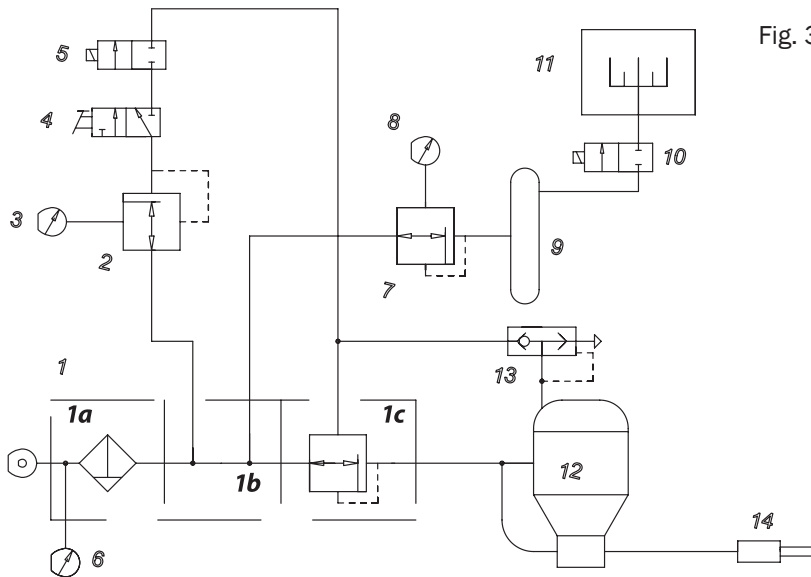


Fig. 3.5.

Reference signs:

1	control pneumatic unit	5	solenoid safety valve
1a	moisture separator filter	9	pressure vessel
1b	collector	10	solenoid pulse cut-off valve
1c	proportioning valve	11	filter of filter chamber
2, 7	pressure regulators	12	blast machine
3, 6, 8	manometers	13	discharge valve
4	remote-control handle	14	blast nozzle

3.6 Connection to power supply and electrical diagram.

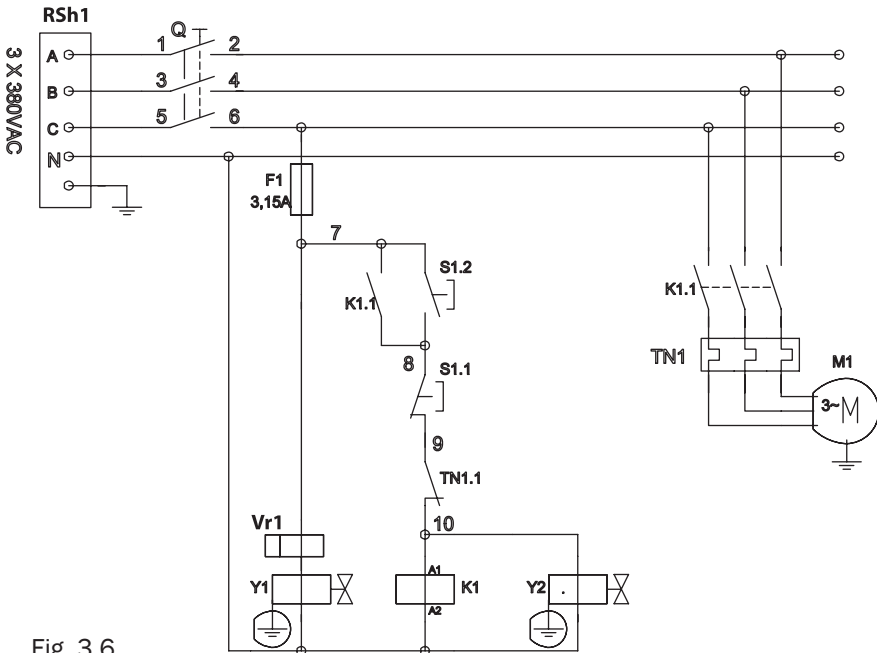


Fig. 3.6.

K1	contactor	F1	fuse
S1	start/stop button	RSh1	corner plug socket
Q	knife switch	Y2	pneumatic valve
M1	electric motor	Vr1	timer
Y1	pulse pneumatic valve	TN1	thermal switch



All electrical works must be carried out by a qualified electrician in accordance with national and local standards.

A connection diagram is included in the machine's delivery set. After connecting, the direction of rotation of the vacuum pump has to be checked by briefly turning the switch on and off. The direction of rotation of the vacuum pump impeller must match that indicated by the arrow sticker on the pump housing.



Looking into the delivery nozzle of the vacuum pump while it is operating and using the machine with open grid panels are not allowed.

Particles expelled from the pump's delivery nozzle may cause injury to the eyes and face.

4. Usage.

4.1 Abrasive loading and unloading.

Switch off the machine before loading abrasive. Open the door of the cyclone separator and pour in the required amount of abrasive by feeding it onto the screen. Close the door of the cyclone separator.

Minimum quantity of abrasive to be filled into the system: 20 kg.

The following types of abrasive are recommended:

- aluminium oxide, max. 1.5 mm for BRS-5.
- steel grit, 0.3 – 1.0 mm (G40), only for BRS-5.

4.2 Setup.



Before abrasive blasting, the cyclone separator door and the filter chamber door must be closed

1. Connect the compressed-air hose to the pneumatic unit and secure the connection with a clamp. Switch on the compressed-air supply to the pneumatic unit and ensure there are no leaks.
2. Remove the machine's back panel. Ensure all hoses are securely connected. Using the manometer and pressure regulator mounted upstream of the pressure vessel, set the pressure of the pressure vessel to 4.5 bar. On the timer of the solenoid pulse valve, set the response time to 2 minutes and the opening interval to 100 ms. These values can be adjusted during operation (section 5.3). Mount the machine's back panel back in place.
3. Using the manometer and pressure regulator, set the cleaning pressure to 5 bar on the electric box panel.
4. Power on the machine by turning the knife switch and pressing the green on-switch button. The vacuum pump turns on.

4.3 Abrasive blasting.



Only carry out abrasive blast cleaning using suitable individual protective equipment, including protective goggles.

Ensure there is nobody without suitable protective equipment within a 5-m radius of the object being treated.

1. Uncoil the hoses of the vacuum head, and pick up the vacuum head: hold the handle in one hand and place the other hand on the remote-control handle. Place the vacuum head on the surface to be treated. Release the safety device and press the button on the remote-control handle. The abrasive mixture begins to be fed from the nozzle.
2. While continuing to press the button on the remote-control handle, gradually move the vacuum head over the treated surface. The vacuum head brush must press tightly against the treated surface; if slanted, abrasive can leak out from under the brush into the surrounding area.



If dust escapes to the surroundings from the dust collector, the cyclone separator, the filter chamber or the delivery nozzle of the vacuum pump, abrasive blasting must be stopped immediately (see below) and the machine must be switched off. It must be checked as to whether the filter is correctly installed, not worn and not damaged. It must also be checked as to whether the doors of the filter chamber and cyclone separator are hermetically closed. Prolonged inhalation of any dust can cause serious pulmonary disease or prove fatal. Brief swallowing of toxic dust, such as lead dust, poses an immediate health hazard.

The toxicity and health risk depend on the dust created during the blast cleaning process.

All the substances removed during blast cleaning must be determined, and a safety certificate for the abrasive must be obtained.

4.4 Pausing and terminating abrasive blasting.

In order to pause the blast cleaning process, the button on the remote-control handle simply needs to be released.

In order to terminate the blast cleaning process, carry out the following actions:

1. Release the button on the remote-control handle.
2. Press the OFF button on the electric box panel in order to switch off the vacuum pump.
3. Turn off the supply of compressed air to the pneumatic unit.
4. Empty the dust collector.

5. Adjustment.

5.1 Adjusting cleaning pressure.

The operator is able to regulate blasting pressure to correspond to the application by using the pilot pressure regulator, which is located on the cabinet's control panel. For most applications approximately 5-6 bar is appropriate. Delicate substrates may require lower pressure, which can diminish media breakdown. Difficult blasting jobs on sturdy substrates necessitate higher pressure but will increase media breakdown. Maximum production can only be reached by carefully monitoring the blasting pressure. Turn the knob on the pilot regulator on the front of the control panel to regulate air pressure. Pull the knob out and turn it clockwise to increase pressure or counter-clockwise to decrease it. After the operating pressure has been set, push the knob back in to lock it.

5.2 Changing abrasive quantity fed to nozzle.

Media volume flow is adjusted by the metering valve at the foot of the blast machine. The abrasive

metering valve consists of the valve body, abrasive in and outlets, as well as the handle which is connected to the dosing disc. The dosing disc has an opening which is of equal diameter to the abrasive inlet. The abrasive flow is regulated by the overlap of the dosing opening to the abrasive inlet. The abrasive flow is greatest when the dosing opening completely overlaps the abrasive inlet. This is the case when the handle is in the middle position. By turning the handle to the left or right, the overlap and the flow is reduced. The overlap is nil when the handle is in the full right or full left position, and the abrasive flow is nil.

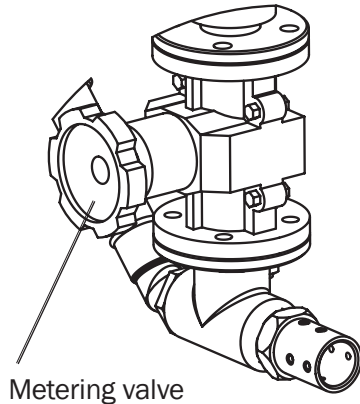


Fig. 5.2.

Adjust flow rate according to type and size of blast media, blasting pressure, and the task at hand, ensuring to use as little media as possible whilst still maintaining a high cleaning pace. The correct mixture of air and abrasive can generally be distinguished by a slight discoloration at the exit of the nozzle.

5.3 Adjusting filter cleaning

The filter chamber is equipped with an automatic filter-cartridge pulse-cleaning system. The standard pressure for pulse cleaning is 4–5 bar. The cleaning pressure is set using the pressure regulator installed on the pressure vessel of the cleaning system and is monitored using the manometer.

If the pulsation does not provide a sufficient degree of cleaning for the filter cartridge, the pulse pressure has to be increased in intervals of 0.5 bar up to the maximum pressure of 6.0 bar. Increasing the pulse pressure above 6.0 bar may cause damage to the filter body and the filter itself.

If the dust deposit on the filter cartridge increases after the pressure has increased, the duration of each pulse should be increased (set on each pneumatic valve in milliseconds (ms)) and the intervals between pulses should be reduced (in minutes (min)).

The performance of solenoid-controlled pneumatic valves can be checked by pressing the Test button.

6. Maintenance.

6.1 Preventative maintenance

6.1.1 Dust collector

Empty the dust container regularly. Start by checking the container at least daily or when adding media, then adjust frequency based on usage, contamination and friability of the media.

6.1.2 Airline filter


Pneumatic unit is equipped with a manual drain airline filter. Drain the airline filter at least once a day, more often if required, or if water mist is seen coming out the nozzle. Moist air inhibits the flow of media. If moisture continues to be present, a refrigerated air dryer may be required.

6.1.3 Blast Hose and Couplings

Check blast hose for excessive wear, particularly on the outside radius, to prevent punctures. Check couplings and coupling gaskets for leakage and wear.

6.1.4 Dirt-trapping screen of cyclone separator

The cyclone separator is equipped with a dirt-trapping screen, which prevents foreign objects and products of the cleaned surfaces from entering the blast machine. The screen has to be cleaned every day.

	<p>The screen must categorically not be cleaned while the filter chamber fan is switched on.</p> <p>The machine must not be used if the screen has not been mounted in place.</p>
--	---

The cyclone is provided with doors for accessing the screen. In order to remove the screen, lift it slightly and turn it clockwise. Mount the screen in the reverse order.

6.1.5 Metering valve of blast machine

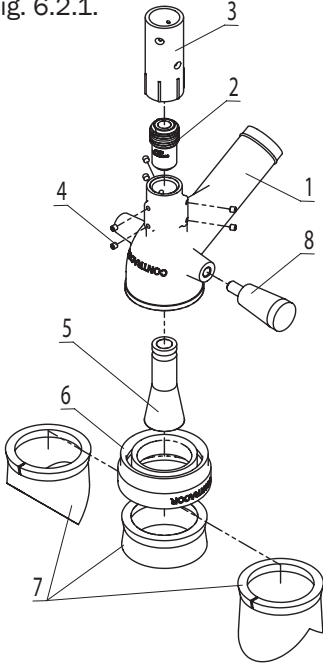
The metering valve must be inspected regularly for wear. In order to increase the valve's service life and prevent premature failure, the rubber grommet has to be replaced in a timely manner.

6.2 Servicing.

6.2.1 Changing nozzle and vacuum head components

The nozzle should be changed if its cross-sectional diameter has increased by 2 mm or, sooner, if the working pressure has markedly decreased.

Fig. 6.2.1.



In order to change the nozzle, carry out the following actions:

1. Remove the crinkled vacuum hose from the body of the vacuum head (1).
2. Unscrew the vacuum head from the nozzle holder (3). Check the seal in the nozzle holder for wear, and replace the nozzle holder if necessary. To this end, unscrew the tapping screw, remove the nozzle holder from the blast hose and install the new nozzle holder in the reverse order.
3. Unscrew the screws (4).
4. Pull out the nozzle (2) and diffuser (5) from the body (1).
5. If necessary, replace the nozzle and diffuser.
6. Assemble the head in the reverse order.

6.2.2 Changing filter cartridge



Non-compliance with requirements for using individual protective equipment when servicing areas of the machine and the dust collector or when emptying the dust collector bin may lead to significant eye irritation, pulmonary diseases or fatality.

The toxicity and health risk are dependent on the type of abrasive and dust created during the blast cleaning process.

A respirator must be used for the relevant type of dust created.

All the removable materials from the blast cleaning process must be determined, and a safety certificate for the abrasive must be obtained.

In order to change the filter cartridge of the dust-collecting chamber, carry out the following actions:

1. Shut off the supply of compressed air to the pneumatic unit.
2. Fully bleed the air from the pressure vessel of the pulse cleaning system.
3. Unscrew the 4 nuts with black plastic grips on the door of the filter chamber and remove the door.
4. Unscrew the nut with the black plastic grip under the filter cartridge, and remove the washers for fastening the filter cartridge.
5. Remove the filter cartridge by pulling it downwards and towards you.
6. Inspect the top metal flange against which the sealing ring of the filter cartridge bore. There should not be any ring residue on the flange. If necessary, clean the flange.
7. Mount the new filter cartridge in the reverse order. Mount the washers in the correct order.
8. Screw the nut with the black plastic grip until the filter cartridge can no longer be turned about its axis by hand. Tighten the nut one further revolution.
9. Check the seal of the filter chamber door for wear. Replace it if required, ensuring that there are no gaps in the seal joints.
10. Close the filter chamber door and tighten the 4 nuts with black plastic grips.

6.2.3 Changing the pressurising valve and seat.

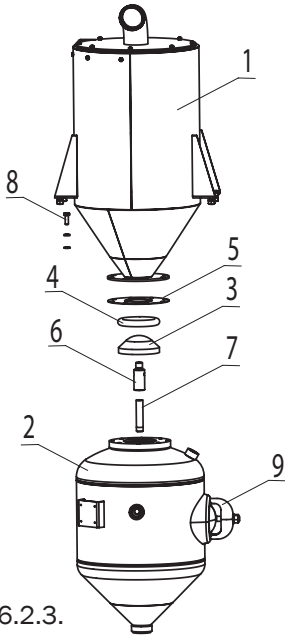


Fig. 6.2.3.

To change the rubber pressurising valve (3) and the rubber seal (4), the blast machine (2) has to be disconnected from the cyclone separator (1). To do this, unscrew the bolts (8) and carefully disconnect the tank (2) from the separator (1). Check the rubber seal (4) for wear and damage. If necessary, replace it by using a slotted screwdriver to remove the worn seal. Unscrew the nut from the access door (9) and, by holding the cover of the access door by the threaded portion, remove the cover from the access door. Via the access door, unscrew the nozzle (7) that holds the pin (6) and valve (3), and carefully remove these components from the machine (2). Unscrew the valve (3) from the pin (6). Screw the new valve (3) onto the pin (6), and assemble and install the tank in the reverse order, replacing the gasket (6) if required.

6.2.6 Changing the diaphragm and gasket of the blast machine discharge valve.

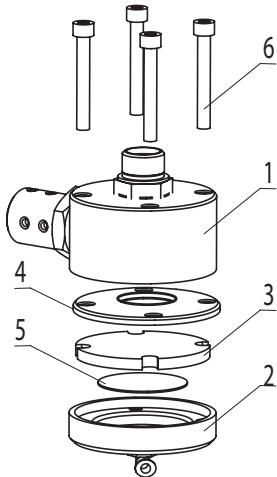


Fig. 6.2.4.

In order to change the diaphragm and/or gasket of the discharge valve, carry out the following actions:

1. Pull out the valve control hose from the pneumatic fitting on the cover (2).
2. Remove the hose from the valve's barbed fitting.
3. Using the jaws of the adjustable wrench to grip the coupling below the body (1), unscrew the discharge valve from the pipe of the blast machine.
4. Unscrew the screws (6).
5. Remove the cover (2), disc (5), diaphragm (3) and gasket (4).
6. Replace the diaphragm and/or gasket.
7. Assemble, mount and connect the discharge valve in the reverse order.

7. Fault handling.

Defect	Possible cause	Remedy
Overconsumption of abrasive	The cyclone separator door is either open or not in place, or the seal is incorrectly mounted or worn. Air penetration here into the cyclone separator causes abrasive to move into the filter chamber.	Tightly close the door of the cyclone separator. If necessary, replace the door seal. The machine must not be used while the cyclone separator door is open!
	A hole caused by wear in the cyclone separator or leakage at the seams of the cyclone separator.	Visually check the cyclone separator for leakage.
	The use of extremely small, worn or soft abrasive which quickly disintegrates.	Replace the abrasive.
	A nozzle pressure which is too high for the abrasive used will cause the material to disintegrate.	Reduce the pressure using the pressure regulator on the electric box panel.

Defect	Possible cause	Remedy
Fall in speed of blast cleaning	Insufficient amount of filled abrasive (reduced flow of abrasive).	Add abrasive.
	Incorrect setting of the abrasive metering device (too much abrasive in the mixture with compressed air, causing abrasive to clog the nozzle).	Adjust the blast machine metering device.
	Low pressure of compressed air being fed to blast machine.	Adjust the pressure using the pressure regulator on the electric box.
	Clogging of abrasive hose or nozzle.	When the vacuum pump is switched off, check that there is a dirt-trapping screen in the cyclone separator. Inspect the abrasive nozzle in the vacuum head. After unscrewing the body of the vacuum head and nozzle from the nozzle holder and pointing it in a safe direction, press the button on the remote-control handle, feeding air to the nozzle holder to clear the hose and nozzle holder of blockage.
	Wear of nozzle.	Check the nozzle for wear, and if necessary, replace the nozzle.
	Wear of blast hose.	Check the hose for tears and worn sections. Replace it if worn or damaged.
	Moist abrasive.	Drain the condensate from the moisture separator and filter of the pneumatic unit.

Defect	Possible cause	Remedy
Only air is coming out of the nozzle (no abrasive is coming out).	There is a lack of abrasive in the blast machine (owing to overconsumption).	See “Overconsumption of abrasive”.
	The blast machine metering device is closed too much.	Adjust the metering device.
	Clogging of metering device.	Press the button on the remote-control handle, asking someone to assist in briefly opening and closing the ball valve several times to feed compressed air into the blast machine. If this doesn’t help, turn off the machine and disassemble and clean the metering device.
	The hoses of the pneumatic control system are damaged.	Check the control polyurethane pneumatic hoses for kinks or leaks.
	Failure of metering device.	Repair or replace the metering device.
Neither abrasive nor compressed air are coming out of the nozzle.	The blast nozzle or hose is clogged.	See “Fall in speed of blast cleaning”.
	The blast machine is not pressure-tight.	See “The blast machine is not pressure-tight.”
	The metering device and ball valve of the blast machine are closed.	Adjust the metering device and open the ball valve for supplying compressed air to the blast machine.
	The solenoid safety valve is not opening.	Adhering to electrical safety rules, ensure that the coil of the solenoid valve is properly connected. If necessary, replace the valve.
Blast cleaning does not stop when the button on the remote-control handle is released.	The three-way valve on the remote-control handle has malfunctioned.	Ensure that the three-way valve on the remote-control handle releases pressure to the surroundings when the button is released. If this does not happen, replace the remote-control handle.

Defect	Possible cause	Remedy
The blast machine is not pressure-tight.	No compressed air is being fed to the blast machine.	Ensure that the compressor is supplying compressed air.
	The pressure regulator has been set to a compressed-air pressure level which is too low.	Adjust the pressure. The pressure mustn't be below 3 bar.
	Worn diaphragm of discharge valve.	Dismantle the discharge valve of the blast machine and inspect the diaphragm for wear. If necessary, replace it.
	The hoses of the pneumatic control system are damaged.	Check the pneumatic hoses controlling the start/stop unit for kinks or leaks.
	The three-way valve on the remote-control handle has malfunctioned.	Ensure that the three-way valve on the remote-control handle releases pressure to the surroundings when the button is released. If this does not happen, replace the remote-control handle.
	The remote-control handle connection hoses are mixed up.	Swap the hoses around.
The blast machine does not switch off and depressurise or only very slowly.	The three-way valve on the remote-control handle has malfunctioned.	Ensure that the three-way valve on the remote-control handle releases pressure to the surroundings when the button is released. If this does not happen, replace the remote-control handle.
	The hose for controlling the discharge valve is pinched, damaged or blocked.	Check the hose for breakage and damage, and replace it if necessary.
The abrasive-air mixture is oversaturated with abrasive	The ball valve on the blast machine is either closed or not open enough.	Fully open the ball valve.
There is a pulsating flow of the abrasive-air mixture during start-up	The abrasive metering device is open too much.	Adjust the metering device. If adjusting does not reduce the quantity of abrasive in the mixture, switch off the machine, unload the abrasive, and dismantle and inspect the metering device.

Defect	Possible cause	Remedy
Dust leakage from filter chamber	The filter cartridge is damaged or poorly secured.	Switch off the vacuum pump. Open the filter chamber door and ensure that the filter cartridge is properly installed and not damaged.
	Defective seal on door of dust-collecting chamber.	Switch off the vacuum pump. Open the filter chamber door and check the integrity of the door seal and that there is no wear. If necessary, replace the seal.
Dust leakage from discharge valve.	Worn gasket of discharge valve.	Replace the gasket.



Machen Sie sich sorgfältig mit der technischen Dokumentation, der Betriebsanleitung und den Sicherheitshinweisen vertraut. Die meisten Unfälle bei der Verwendung von Kompressoranlagen geschehen infolge der Nichtbeachtung der Sicherheitshinweise. Verhindern Sie das Entstehen von Gefahren und beachten Sie die Sicherheitshinweise.



Der Hersteller behält sich das Recht vor Änderungen am Produktdesign vorzunehmen, ohne den Anwender zu informieren.

© Contracor ®. All rights reserved.

No part of the text and /or diagram may be reprinted or used without the prior written permission of Contracor.

The manufacturer reserves the right to make changes to a product design in order to enhance its technological and operational parameters without notifying the user.

The product type may considerably differ to that displayed in documents.

Inhalt

Sicherheitshinweise

- 1.1 In den Anweisungen verwendete Piktogramme
- 1.2 Allgemeine Sicherheitshinweise
- 1.3 Sicherheitsvorkehrungen für die Inbetriebnahme
- 1.4 Sicherheitsvorkehrungen während des Betriebs
- 1.5 Sicherheitsvorkehrungen bei Wartung und Instandsetzung

System und Mechanismus

- 2.1 Technische Daten
- 2.2 Funktion
- 2.3 Funktionsweise

Inbetriebnahme

- 3.1 Anheben
- 3.2 Abmessungen
- 3.3 Vorbereitung des Standorts
- 3.4 Anschluss an das Druckluftnetz
- 3.5 Druckluftschaftplan
- 3.6 Anschluss an die Spannungsversorgung und Elektroschaltplan

Verwendung

- 4.1 Abrasives Be- und Entladen
- 4.2 Einrichtung
- 4.3 Sandstrahlen
- 4.4 Anhalten und Beenden des Strahlens

Einstellung

- 5.1 Einstellen des Reinigungsdrucks
- 5.2 Änderung der zur Düse zugeführten Strahlmittelmenge
- 5.3 Einstellen der Filterreinigung




Wartung

- 6.1 Vorbeugende Wartung
- 6.2 Wartung


Fehlerbehandlung

1. Safety guidelines.

1.1 In den Anweisungen verwendete Piktogramme.

	Lebensgefahr!
	Warnung!
	Achtung!

1.2 General safety guidelines.

	The user is solely liable for injuries or damages which occur due to non-compliance with safety guidelines during installation, operation or servicing, as well as unauthorised use of equipment!
---	---

1. Der Betreiber hat die in diesen Anweisungen sowie in den geltenden gesetzlichen Vorschriften enthaltenen Sicherheitsrichtlinien genauestens einzuhalten!
2. Bei Überschneidungen der Sicherheitsrichtlinien mit der örtlichen Gesetzgebung gelten stets die strengeren Vorschriften.
3. Nur Wartungspersonal mit entsprechender Berufsausbildung ist es gestattet, Contracor - Anlagen zu bedienen, zu warten und zu reparieren.

4. Druckluft, die direkt vom Kompressor kommt, kann Öl und Verunreinigungen enthalten und ist nicht als Atemluft geeignet! Druckluft muss in Übereinstimmung mit den geltenden gesetzlichen Vorschriften auf einen zur Atmung geeigneten Luftreinheitsgrad gebracht werden.
5. Druckluft ist eine äußerst gefährliche Energiequelle. Druckluft darf niemals unsachgemäß verwendet werden! Verwenden Sie niemals Druckluft, um Kleidung oder Schuhe zu reinigen und zielen Sie mit Druckluftschläuchen niemals auf Menschen oder Tiere! Bei der Reinigung von Geräten mit Druckluft ist äußerste Vorsicht geboten. Tragen Sie dabei immer eine Schutzbrille!
6. Wartungs-, Reparatur-, Aufbau-, und Montagearbeiten dürfen nur durchgeführt werden, wenn das Gerät ausgeschaltet ist, von der Stromquelle getrennt ist, die Druckluftschläuche vom Gerät getrennt sind und beteiligte Personen Schutzbrillen tragen. Stellen Sie sicher, dass die Anlage vom Druckluftsystem getrennt ist und nicht unter Druck steht.


1.3 Safety precautions for installation.




The user is solely liable for injuries or damages which occur due to non-compliance with safety guidelines during installation, operation or servicing, as well as unauthorised use of equipment!

1. Anlagen dürfen ausschließlich mit entsprechenden Handhabungsgeräten oder Kränen auf-/abgeladen werden. Anlagen dürfen nicht von Hand angehoben oder bewegt werden. Anlagen niemals an Hebezeugen o. Ä. hängen lassen. Beim Abladen immer einen Helm tragen.
2. Stellen Sie die Anlagen in einem trockenen und sauberen Gebäude auf, wo sie vor Niederschlag geschützt sind. Das Gebäude muss ausreichend und bei Bedarf durch Fremdbelüftung belüftet sein.
3. Abgenutzte, beschädigte oder defekte Druckluftschläuche dürfen nicht verwendet werden. Stellen Sie sicher, dass die verwendeten Schläuche hinsichtlich Durchmesser und Betriebsdruck für die jeweiligen Geräte geeignet sind.
4. Sind in einem System mehrere Kompressorstationen vorhanden, benötigt jeder Kompressor ein von Hand betätigtes Ventil zum Abschalten der einzelnen Kompressoren für Notfälle.
5. Explosive und leicht entzündliche Substanzen wie Lösungsmitteldämpfe, Kohlenstaub etc. dürfen keinesfalls in die Atmosphäre freigesetzt werden.
6. Sorgen Sie für ungehinderten Zugang zum Druckluftschlauch vom Kompressor. Der Schlauch sollte nicht verdeckt sein und es dürfen keine brennbaren Materialien in unmittelbarer Nähe gelagert werden.

7. Druckluftschläuche dürfen nicht gequetscht oder verformt werden.
8. Lüftungsöffnungen von Anlagen dürfen nicht abgedeckt werden. Achten Sie darauf, dass das Gebäude gut belüftet ist.
9. Anlagen müssen geerdet sein. Kurzschlusschutzvorrichtungen müssen vorhanden sein. Der Not-Aus-Taster muss sich in unmittelbarer Nähe des Geräts befinden und gegen unberechtigte Inbetriebnahme schützen.

	<p>Der Benutzer trägt die volle Verantwortung für den ordnungsgemäßen Betrieb des in der Anlage vorhandenen Elektromotors.</p> <p>Anlagen sind nur mit entsprechenden Schutzvorrichtungen zu betreiben. Die Schutzvorrichtungen müssen den Elektromotor vor Kurzschlüssen, Überlast (systematisch und bei der Inbetriebnahme) und Phasenausfall schützen.</p> <p>Die Montage von Schutzvorrichtungen liegt in der Verantwortung des Benutzers.</p>
---	--

1.4 Меры безопасности при эксплуатации.

	<p>The user is solely liable for injuries or damages which occur due to non-compliance with safety guidelines during installation, operation or servicing, as well as unauthorised use of equipment!</p>
---	--

1. Stellen Sie sicher, dass die verwendeten Schläuche hinsichtlich Durchmesser und Betriebsdruck für die jeweiligen Geräte geeignet sind. Überprüfen Sie die einzelnen Schlauchanschlüsse vor der Inbetriebnahme auf festen Sitz. Eine lose Schlauchverbindung kann schwere Verletzungen verursachen.
2. Anlagen niemals einschalten, wenn leicht entzündliche Luftverunreinigungen vermutet werden.
3. Der Bediener, der das Gerät fernsteuert, muss sicherstellen, dass zu dem Zeitpunkt keine Montage- oder anderen Arbeiten an der Anlage durchgeführt werden. Folgender Warnhinweis muss gut sichtbar am Gerät angebracht sein: „ACHTUNG: Diese Maschine ist ferngesteuert und kann ohne Vorwarnung anlaufen!“
4. Das Gerät darf keinesfalls bei Müdigkeit sowie nach dem Konsum von Alkohol, Drogen oder Medikamenten, die die Reaktionszeit reduzieren, verwendet werden.
5. Das Gerät darf nicht betrieben werden, wenn Teile des Gehäuses entfernt wurden. Türen oder Abdeckungen dürfen zu Prüfzwecken und für geplante Kontrollen kurzzeitig geöffnet werden. Gehörschutz wird dringend empfohlen.



Bei manchen Geräten können offene Türen oder fehlende Abdeckungen während des Betriebs zu Überhitzung führen.

6. Bei Arbeiten unter Betriebsbedingungen oder in Gebäuden, in denen der Schalldruckpegel 90 dB (A) oder mehr erreicht, muss Gehörschutz getragen werden.
7. Wird beim Heizen des Gebäudes Druckluft zur Anlagenkühlung verwendet, muss die Luft gefiltert werden, damit sie zum Atmen geeignet ist.
8. Folgende Punkte sind regelmäßig zu kontrollieren:
 - •Vorhandensein von Sicherheitsvorrichtungen und -geräten;
 - •Zustand und Dichtigkeit sämtlicher Schläuche und Rohrleitungen;
 - •Lecks;
 - •Festigkeit von Halterungen und Strukturbauteilen;
 - •Zustand und Sicherheit der elektrischen Leitungen und Kontakte;
 - •Funktionstüchtigkeit und Sauberkeit von Sicherheitsvorrichtungen;
 - •Funktionstüchtigkeit von Strukturbauteilen und Anzeichen von Verschleiß;

1.5 Sicherheitsvorkehrungen bei Wartung und Instandsetzung



The user is solely liable for injuries or damages which occur due to non-compliance with safety guidelines during installation, operation or servicing, as well as unauthorised use of equipment!

1. Es sind ausschließlich original Ersatz- und Austauschteile zugelassen. Die Verwendung von Ersatzteilen anderer Hersteller kann zu unvorhersehbaren Ergebnissen und somit zu Unfällen führen.
2. Bei Montage- und Reparaturarbeiten ist stets eine Schutzbrille zu tragen!
3. Vor dem Anschließen oder Trennen von Geräten sind diese vom Hauptdruckluftsystem zu trennen. Stellen Sie sicher, dass die Schläuche nicht unter Druck stehen!
4. Vor Beginn von Montagearbeiten oder sonstigen Arbeiten muss sichergestellt werden, dass die Anlage nicht unter Druck steht. Es dürfen niemals Montagearbeiten an Anlagen, die unter Druck stehen, durchgeführt werden.

5. Sämtliche Wartungsarbeiten dürfen erst ausgeführt werden, wenn die Bauteile auf Raumtemperatur abgekühlt sind.
6. Verwenden Sie niemals leicht entzündliche Lösungsmittel oder Tetrachlormethan zur Reinigung von Strukturbauteilen. Treffen Sie entsprechende Vorkehrungen gegen giftige Dämpfe von Reinigungsmitteln.
7. Während Montage- und Reparaturarbeiten sollte ein Hinweisschild am Bedienfeld angebracht sein, das vor unbefugtem Einschalten warnt. Beispiel: „Nicht einschalten. Gefahr für Bedienpersonal!“
8. Der Bediener, der das Gerät fernsteuert, muss sicherstellen, dass zu dem Zeitpunkt keine Montage- oder anderen Arbeiten an der Anlage durchgeführt werden. Folgender Warnhinweis muss gut sichtbar am Gerät angebracht sein: Siehe 1.3.9.
9. Halten Sie das Gebäude, in dem das Gerät steht, sauber. Schließen Sie offene Zu- und Abläufe während der Montage mit trockenen Lappen oder Papier, um zu verhindern, dass Schmutz in die Anlage gelangt.
10. Schweißarbeiten oder ähnliche Arbeiten dürfen nicht in unmittelbarer Nähe von Anlagen und Behältern, die unter Druck stehen, durchgeführt werden.
11. Schalten Sie die Anlage bei Verdacht auf Überhitzung, Entzündung sowie in anderen Notsituationen umgehend aus. Schalten Sie die Anlage sofort stromlos. Öffnen Sie Türen der Anlage erst, wenn sie sich auf Raumtemperatur abgekühlt hat, um Verbrennungen oder Verletzungen zu vermeiden.
12. Offene Flammen dürfen nicht als Lichtquelle für Inspektionen und Kontrollen der Anlage genutzt werden.
13. Verwenden Sie niemals ätzende Lösungsmittel, die Materialien im Druckluftsystem beschädigen könnten.
14. Stellen Sie nach Montagearbeiten oder anderen Arbeiten sicher, dass keine Werkzeuge, Lappen oder Ersatzteile im Gerät zurückgelassen wurden.
15. Stellen Sie nach Wartungs- oder Reparaturarbeiten und vor Beginn des Betriebs im normalen Modus sicher, dass der Betriebsdruck, die Temperatur und andere Werte richtig eingestellt sind. Stellen Sie sicher, dass alle Steuergeräte installiert sind und einwandfrei funktionieren.
16. Wischen Sie beim Wechsel von Filtern, Abscheidern usw. Staub-, Schmutz- und Ölablagerungen an der jeweiligen Stelle mit einem trockenen Tuch ab.
17. Schützen Sie Motor, Luftfilter, elektrische Komponenten, Steuerkomponenten usw. vor Kontakt mit dem Kondensat. Blasen Sie sie zum Beispiel mit trockener Luft ab.

2. System und Mechanismus.



Die Nichtbeachtung dieser Anleitung, die Verwendung von nicht originalen Ersatzteilen und das Fehlen eines Garantiezertifikats können zum Erlöschen der Garantie führen.

2.1 Technische Daten.

Die wichtigsten Merkmale der Strahlanlage BRS-5 von Contracor sind:

Merkmale	BRS-5
Kapazität der Strahlanlage, l	50
Maximaler Druckluftdruck, bar	10
Statischer Druck, mbar	290
Nennleistung der Vakuumpumpe, kW	5,5
Filterfläche, m ²	7,5
Düse, mm	6,5
Masse, kg	395
Strahlschlauch Länge, m	5
Strahlschlauch max. Länge, m	10

Typ Schleifmittel	Aluminiumoxid, Stahlkorn
Max. Größe Schleifmittel Aluminiumoxid, mm	1,5
Max. Größe Schleifmittel Stahlkorn, mm	1 (G40)

Oberfläche	Qualität Oberfläche	Durchschnittliche Leistung
Stahl (Verzunderung, Lackierung und/oder Korrosion)	2(02) / SA 2-1/2	4-6 mtr ² /h
Geschweißte Nähte, Stahl		70-80 Meter pro Stunde

*Alle angegebenen Werte sind Durchschnittswerte und können je nach Oberflächenbeschaffenheit, Schleifmittelqualität und Erfahrung des Bedieners variieren.

2.2 Funktion.

Die Contractor BRS Strahlanlage ist für das effektive Strahlen von Metallstrukturen und -komponenten unter Beibehaltung der Sauberkeit des umgebenden Arbeitsbereichs konzipiert. Das Strahlen mit Strahlmitteln wird eingesetzt, um verschiedene fettfreie Verunreinigungen, Schweißgrate oder Drahtkanten zu entfernen und durch den Einsatz von recyceltem

Strahlmittel die gewünschte Rauheit, Oberflächenhärte und ästhetische Wirkung zu erzielen.

Dank des Vakuumsystems zur Strahlmittel-Rückgewinnung kann das Strahlen außerhalb spezieller Anlagen und Kammern durchgeführt werden, ohne die Umgebung mit Strahlmittel und den Partikeln von behandelten Oberflächen zu verunreinigen. Ein weiterer Vorteil dieser Anlage ist, dass sie als geschlossenes System mit einer Entstaubung des Reinigungsbereichs nur minimale Schutzmaßnahmen zur Gewährleistung der Sicherheit des Bedieners erfordert..

2.3 Funktionsweise.

Die Druckluft wird vom Kompressor zur Pneumatikeinheit (1) geleitet. Von der Pneumatikeinheit (1) wird die Luft kontinuierlich in den Druckbehälter (8) und zur Fernbedienungskonsole (2) geleitet. Am Druckbehälter (8) ist ein Absperr-Magnetventil mit Timer (9) installiert, das dazu dient, dem Filter (12) in der Filterkammer (6) in regelmäßigen Zeitabständen kurzzeitig Luft zuzuführen, um den Filter zu bewegen und Staubablagerungen zu beseitigen. Im (drucklosen) Normalzustand entlüftet die Fernsteuerkonsole (2) die zugeführte Luft in die Atmosphäre, im druckbeaufschlagten Zustand wird die Luft zuerst an das Magnet-Sicherheitsventil und dann an das Dosierventil der Pneumatikeinheit (1) geleitet.

Beim Einschalten der Maschine (durch Drehen des Messerschalters und Drücken des grünen Knopfes am Steuerungspanel (13)) werden das Magnet-Sicherheitsventil und die elektrische Vakuumpumpe (3) mit Strom versorgt. Das Magnet-Sicherheitsventil öffnet. Die Vakuumpumpe (3) erzeugt einen Unterdruck in Filterkammer (6), Zyklonabscheider (5) und Arbeitsraum des Vakuumpkopfes (4).

Das Magnet-Sicherheitsventil unterbindet die Strahlreinigung einer Arbeitsfläche bei ausgeschalteter Vakuumpumpe (3).

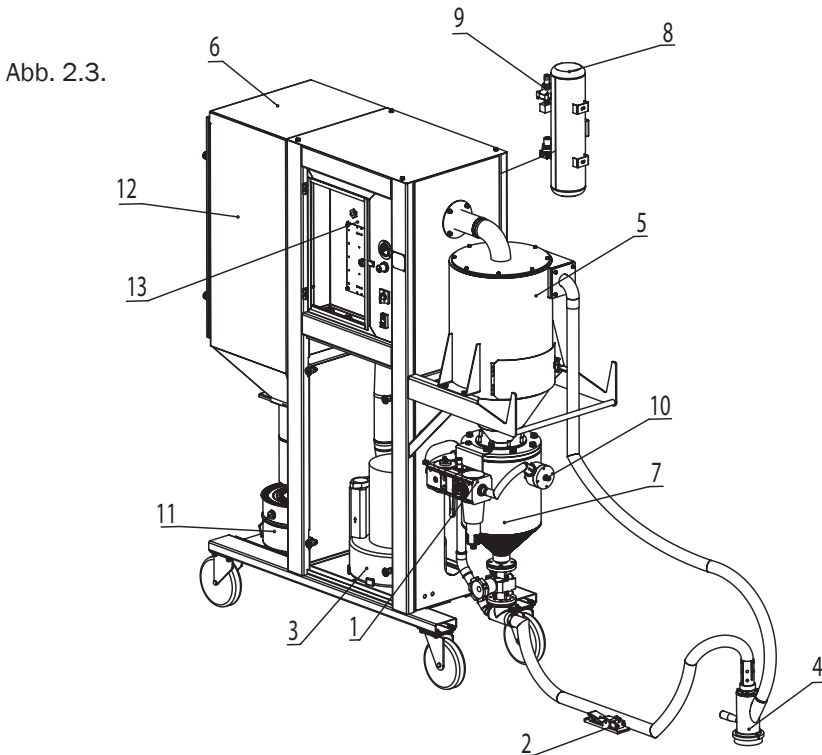
Wenn (nach dem Einschalten des Geräts) die Taste auf der Fernbedienungskonsole (2) gedrückt wird, tritt Luft in das Dosierventil der Pneumatikeinheit (1) ein, öffnet es und lässt Druckluft vom Kompressor in die Strahlanlage (7) gelangen. Hinter dem Dosierventil tritt Luft in das Auslassventil (10) ein und öffnet es dabei.

Die der Strahlanlage (7) zugeführte Luft (bei geschlossenem Auslassventil) bewirkt ihre hermetische Abdichtung: Das Absperrventil des Tanks hebt sich an und trennt den Tankinnenraum vom Innenraum des Zyklons. Der Tankdruck steigt auf den vom Bediener mit Hilfe des Druckminderers und des Manometers am Steuerungspanel (13) eingestellten Wert. Das zuvor durch die Tür des Zyklonabscheiders (5) in den Tank gefüllte Strahlmittel wird dann durch den Überdruck in der Strahlanlage (7) zusammen mit der Druckluft durch den Strahlschlauch zur Düse (4) des Strahl- und Vakuumpkopfs gefördert.

Auf diese Weise verlässt ein Strahlgemisch aus Luft und Strahlmittel die Düse zur Behandlung der Arbeitsfläche. Durch den Unterdruck gelangen Abrieb- und Schmutzpartikel, die von der Oberfläche zurückprallen, in den Zyklonabscheider (5). Im Zyklonabscheider (5) bauen schwerere Partikel ihre kinetische Energie ab und fallen durch ein Sieb (zum Abscheiden großer Schmutzpartikel) zum Absperrventil der Strahlanlage (7) hinunter, um bei Druckentlastung wieder in die Strahlanlage (7)

einzutreten. Auf diese Weise wird das Strahlmittel zyklisch verwendet. Leichtere Partikel gelangen durch den Zyklonabscheider (5) in die Filterkammer (6), wo sie vom Filter (12) aufgefangen werden. Die schwereren Partikel, die in die Filterkammer gelangt sind, fallen nach unten und sammeln sich im Staubbehälter (11) an.

Nach Abschluss des Oberflächenstrahlens nimmt der Bediener seine Hand von der Fernbedienungskonsole (2). Das Dosierventil der Pneumatikeinheit (1) schließt. Der Hauptstrom der Druckluft in die Strahlanlage (7) stoppt. Das Auslassventil (10) öffnet sich und leitet überschüssige Luft aus der Strahlanlage (7) in die Filterkammer (6). Das Absperrventil des Tanks (7) öffnet sich, und das im Zyklonabscheider (5) angesammelte Strahlmittel gelangt wieder in die Strahlanlage (7).



3. Inbetriebnahme.

3.1 Anheben.

Führen sie eine Sichtprüfung auf Verpackungsschäden durch. Wenn keine Schäden vorhanden sind, dann platzieren Sie die Einheit in der Nähe des für die Installation vorgesehenen Standorts und packen die Einheit aus. Das Gerät darf nur mittels der entsprechenden Handhabungsvorrichtungen oder Hubeinrichtung bewegt werden. Das Gerät darf nicht manuelle angehoben oder bewegt werden. Auch das verpackte Gerät muss an einem vor Witterungseinflüssen geschützten Ort gelagert werden. Es ist äußerste Vorsicht geboten. Schwere Einwirkungen (Stöße und Stürze) können irreparable Schäden verursachen. Gehen Sie mit Sorgfalt vor. Starke Schläge (Ruckeln, Fallen) können zu irreparablen Schäden führen.



Das Vorhandensein von Kratzern und Abplatzungen kann zum Verlust der Garantie führen.

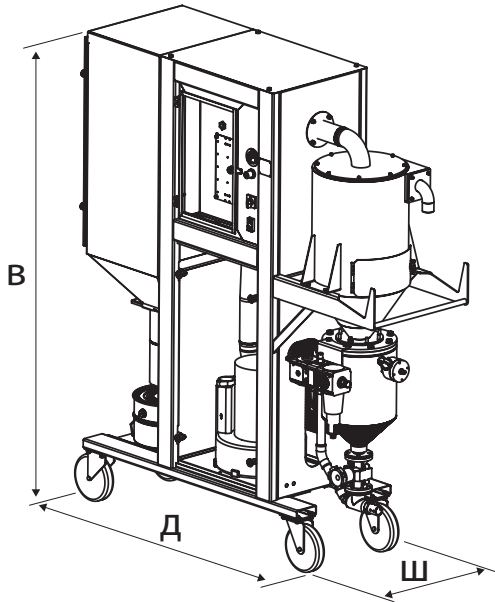



Abb. 3.2.

3.2 Abmessungen.

Abmessungen der BRS-5 Maschine			
Breite, mm	Länge, mm	Höhe, mm	Masse, kg
545	1795	1820	355/395

3.3 Vorbereitung des Standorts.

	Die Aufstellung der Maschine in ungeeigneten Umgebungen kann ihre Leistung durch Überlastung beeinträchtigen. In derartigen Fällen ist die Leistung nicht garantiert.
---	---

Anforderungen für die Installation:

- Die Anlage muss sauber, staubfrei, trocken und gegen Witterungseinflüsse geschützt sein;
- Der Boden der Anlage muss eben und eben sein und das Gewicht der Maschine tragen;
- Die Maschine ist mobil und benötigt keine Befestigung am Boden;
- Zu allen Wartungstüren und -bereichen muss ein freier Zugang gewährleistet sein.

3.4 Anschluss an das Druckluftnetz.

Alle mit dem Anschließen von Kompressoranlagen im Zusammenhang stehenden Arbeiten müssen bei drucklos geschaltetem Druckluftsystem ausgeführt werden.

Das Anschließen an das Druckluftnetz darf nur durch qualifiziertes Fachpersonal erfolgen. Die Leistung des Kompressor für die Strahlanlage wird in Abhängigkeit von der verwendeten Strahldüsengröße gewählt.

Ø der Strahldüse, mm	Erforderlicher Druckluftdurchfluss, m ³ /min. bei Betriebsdruck, bar			
	3,0	4,0	5,0	6,0
5,0	0,7	0,8	0,9	1,0
6,5	1,3	1,5	1,7	1,9
8,0	2,0	2,5	2,0	3,3

Die obige Tabelle zeigt die erforderliche Kapazität nur für die Strahldüse. Zusätzlich wird Luft für die Reinigung des Patronenfilters benötigt, die den obigen Menge zugerechnet werden muss. Der angegebene Luftverbrauch gilt nur für neue Düsen. Mit steigendem Verschleiß steigt auch der Luftverbrauch der Düse, bis zu einem Maximum von 70% bis 80% mehr als im Neuzustand.



Die Überschreitung des zulässigen Drucks kann zu Verletzungen des Bedieners und zu Schäden am Gerät führen. Der Benutzer haftet für alle Folgen einer Überschreitung des in dieser Anleitung angegebenen Druckwertes.

Die Einlassleitung der Maschine muss mit einem flexiblen Schlauch mit einem Innendurchmesser von mindestens 1" (I.D = 1") an die Druckluftleitung angeschlossen werden. Die Verwendung eines Schlauches mit einem kleineren Durchmesser kann die Effektivität des Sandstrahls beeinträchtigen.

3.5 Druckluftschaltplan.

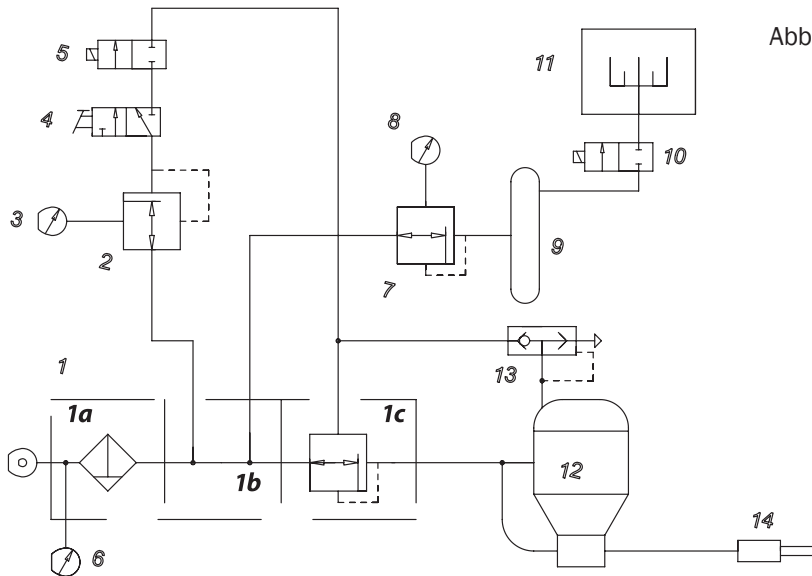


Abb. 3.5.

Referenzzeichen:

1	Steuerung der Pneumatikeinheit	5	Magnet-Sicherheitsventil
1a	Wasserabscheiderfilter	9	Druckbehälter
1b	Sammelbehälter	10	Absperr-Magnetventil
1c	Dosierventil	11	Filter der Filterkammer
2, 7	Druckminderer	12	Strahlanlage
3, 6, 8	Manometer	13	Auslassventil
4	Fernbedienungskonsole	14	Strahldüse

3.6 Anschluss an die Spannungsversorgung und Elektroschaltplan.

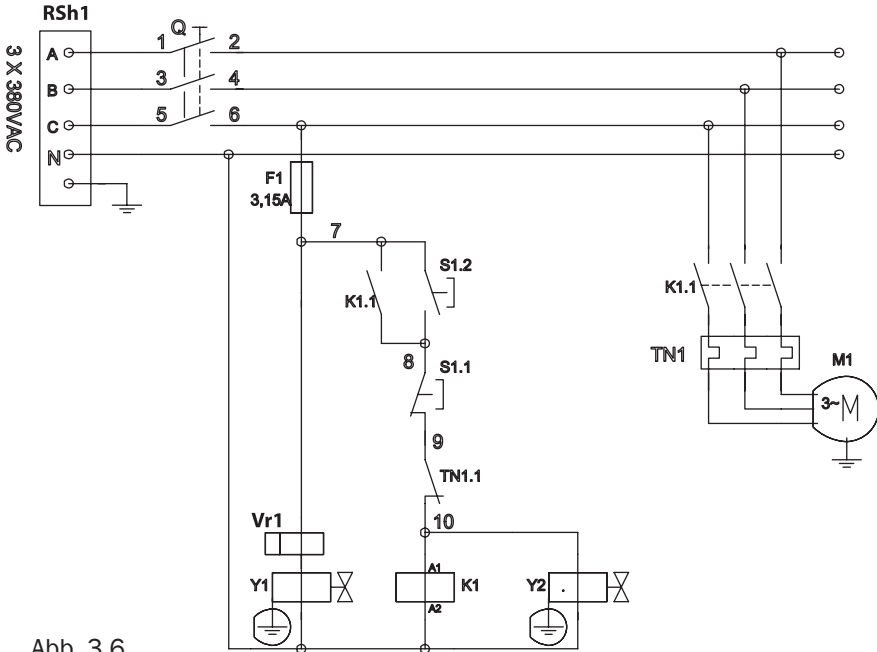


Abb. 3.6.

K1	Schütz	F1	Sicherung
S1	Start-/Stopptaste	RSh1	Ecksteckdose
Q	Messerschalter	Y2	Pneumatikventil
M1	Elektromotor	Vr1	Timer
Y1	Puls-Pneumatikventil	TN1	Thermoschalter



Alle elektrischen Arbeiten müssen von einem qualifizierten Elektriker nach nationalen und lokalen Normen durchgeführt werden.

Ein Anschlussplan ist im Lieferumfang der Maschine enthalten. Prüfen Sie nach dem Anschließen der Vakuumpumpe die Drehrichtung durch kurzes Ein- und Ausschalten des Schalters. Das Vakuumpumpen-Laufrad muss sich in der Pfeilrichtung drehen wie auf Aufkleber auf dem Pumpengehäuse angegeben.



Der Blick in den Förderstutzen der Vakuumpumpe während des Betriebs und die Verwendung der Maschine mit offenen Gitterplatten sind nicht gestattet.

Aus dem Förderstutzen der Pumpe herausgeschleuderte Partikel können zu Augen- und Gesichtsverletzungen führen.

4. Verwendung.

4.1 Abrasives Be- und Entladen.

Schalten Sie die Maschine aus, bevor Sie Strahlmittel einfüllen. Öffnen Sie die Tür des Zyklonabscheiders und füllen Sie die erforderliche Menge an Strahlmittel ein, indem Sie es auf das Sieb geben. Schließen Sie die Tür des Zyklonabscheiders.

Mindestmenge an Strahlmittel, die in das System eingefüllt werden muss: 20 kg.

Die folgenden Arten von Strahlmitteln werden empfohlen:

- Aluminiumoxid, max. 1,5 mm für BRS-5.
- Stahlkorn, 0,3 - 1,0 mm (G40), nur für BRS-5.

4.2 Einrichtung.



Vor dem Strahlen müssen die Tür des Zyklonabscheiders und die Tür der Filterkammer geschlossen sein.

1. Schließen Sie den Druckluftschlauch an die Pneumatikeinheit an und sichern Sie die Verbindung mit einer Schelle. Schalten Sie die Druckluftversorgung der Pneumatikeinheit ein und achten Sie auf Dichtheit.
2. Entfernen Sie die Rückwand der Maschine. Vergewissern Sie sich, dass alle Schläuche fest angeschlossen sind. Stellen Sie den Druck des Druckbehälters mit dem Manometer und dem Druckminderer vor dem Druckbehälter auf 4,5 bar ein. Stellen Sie am Timer des Magnetventils eine Ansprechzeit von 2 Minuten und ein Öffnungsintervall von 100 ms ein. Diese Werte können während des Betriebs eingestellt werden (Abschnitt 5.3). Montieren Sie die Rückwand der Maschine wieder an ihrem Platz.
3. Stellen Sie mit Druckminderer und Manometer den Reinigungsdruck am Steuerungspanel auf 5 bar ein.
4. Schalten Sie die Maschine durch Drehen des Messerschalters und Drücken der grünen Einschalttaste ein. Die Vakuumpumpe schaltet sich ein.

4.3 Sandstrahlen.



Führen Sie die Strahlreinigung nur mit geeigneter persönlicher Schutzausrüstung, einschließlich Schutzbrille, durch.

Stellen Sie sicher, dass sich im Umkreis von 5 m um das zu behandelnde Objekt keine Personen ohne geeignete Schutzausrüstung befinden.

1. Wickeln Sie die Schläuche des Vakuumpkopfes ab und nehmen Sie den Vakuumpkopf auf: Halten Sie den Griff in einer Hand und legen Sie die andere Hand auf die Fernbedienungskonsole. Setzen Sie den Vakuumpkopf auf die zu behandelnde Oberfläche auf. Lösen Sie die Sicherheitsvorrichtung und drücken Sie die Taste auf der Fernbedienungskonsole. Das Strahlmittelgemisch wird nun aus der Düse zugeführt.
2. Halten Sie die Taste an der Fernbedienungskonsole gedrückt und bewegen Sie den Vakuumpkopf schrittweise über die zu behandelnde Oberfläche. Die Vakuumpkopfbürste muss fest gegen die zu behandelnde Oberfläche gedrückt werden. Bei Schrägstellung kann Strahlmittel unter der Bürste in die Umgebung austreten.



Falls Staub aus dem Staubbehälter, dem Zyklonabscheider, der Filterkammer oder der Förderdüse der Vakuumpumpe in die Umgebung austritt, muss das Strahlen sofort gestoppt (siehe unten) werden, und die Maschine muss abgeschaltet werden. Prüfen Sie, dass der Filter korrekt eingebaut, nicht verschlissen und nicht beschädigt ist. Prüfen Sie weiterhin, dass die Türen von Filterkammer und Zyklonabscheider hermetisch verschlossen sind. Einatmen von Staub über einen längeren Zeitraum kann zu schweren Lungenerkrankungen oder zum Tod führen. Das Verschlucken von giftigem Staub, wie z.B. Bleistaub, stellt bereits über eine kurze Zeit eine unmittelbare Gesundheitsgefährdung dar.

Die Toxizität und das Gesundheitsrisiko hängen vom Staub ab, der während des Strahlreinigungsprozesses entsteht. Alle bei der Strahlreinigung entfernten Stoffe müssen bestimmt werden, und es muss ein Sicherheitszertifikat für das Strahlmittel eingeholt werden.

4.4 Anhalten und Beenden des Strahlens.

Um den Strahlreinigungsvorgang zu unterbrechen, muss lediglich die Taste auf der Fernbedienung losgelassen werden.

Um den Strahlreinigungsvorgang zu beenden, führen Sie die folgenden Schritte aus:

1. Lassen Sie die Taste an der Fernbedienungskonsole los.
2. Drücken Sie die AUS-Taste am Steuerungspanel, um die Vakuumpumpe auszuschalten.
3. Schalten Sie die Druckluftversorgung der Pneumatikeinheit ab.
4. Leeren Sie den Staubbehälter.

5. Einstellung.

5.1 Einstellen des Reinigungsdrucks.

Der Strahldruckregler am Bedienfeld der ermöglicht es dem Bediener, den Strahldruck der jeweiligen Anwendung anzupassen. Ein Druck von ungefähr 5-6 bar ist für die meisten Anwendungen geeignet.

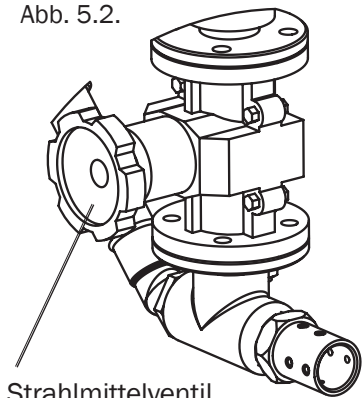
Ein geringerer Druck kann bei empfindlicheren Untergründen nötig sein, und er reduziert die Zerschlagung des Strahlmittels. Ein höherer Druck kann bei schwierigeren Strahlarbeiten mit widerstandfähigeren Untergründen erforderlich sein, aber er führt zur schnelleren Zerschlagung des Strahlmittels.

In jedem Fall kann die höchste Produktivität nur erreicht werden, wenn man den Strahldruck aufmerksam überwacht. Stellen Sie den Strahldruck durch Drehen des Knopfes am Strahldruckregler ein, der sich am Bedienfeld befindet. Ziehen Sie den Knopf heraus und drehen Sie ihn im Uhrzeigersinn, um den Druck zu erhöhen, oder gegen den Uhrzeigersinn, um den Druck zu vermindern. Nach dem Einstellen des Druckes, drücken Sie den Knopf wieder hinein, um zu ihn verriegeln.

5.2 Änderung der zur Düse zugeführten Strahlmittelmenge.

Der Strahlmitteldurchfluss wird durch das Durchflussdosierventil am Fuß der Strahlmaschine eingestellt. Das Dosierventil setzt sich zusammen aus einem Ventilkörper, Strahlmittelein- und Ausgänge, sowie aus einem Griff, der mit der Dosierscheibe verbunden ist. Der Strahlmitteldurchfluss wird durch die Überdeckung des Dosierloches mit dem Eingang eingestellt. In der mittleren Position des Ventils, so steht die Öffnung der Dosierscheibe zentrisch über dem Strahlmitteleingang. In diesem Fall ist der Durchfluss maximal. Wird der Griff nach links oder rechts gedreht, so verringert sich die Überdeckung der Öffnung mit Strahlmitteleingang. Der Querschnitt und der Durchfluss wird geringer. Das Ventil ist geschlossen wenn der Griff in der äußeren linken oder rechten Position ist.

Abb. 5.2.



Der Durchfluss soll je nach Strahlmitteltyp und -größe, Betriebsdruck und der bevorstehenden Aufgabe eingestellt werden. Achten Sie darauf, so wenig Strahlmittel wie nötig zu benutzen um eine schnelle Bearbeitung zu gewährleisten. Greifen Sie hierzu auch auf eigene Erfahrungen zurück. Eine richtige Mischung kann man durch eine leichte Verfärbung am Austritt aus der Strahldüse erkennen.

5.3 Einstellen der Filterreinigung.

Die Filterkammer ist mit einer automatischen Impulsabreinigung der Filterpatrone ausgestattet. Der Standarddruck für die Impulsabreinigung beträgt 4-5 bar. Der Reinigungsdruck wird über den am Druckbehälter des Reinigungssystems installierten Druckminderer eingestellt und mit dem Manometer überwacht.

Bietet die Impulsabreinigung keine ausreichende Reinigung der Filterpatrone, muss der Impulsdruck in Schritten von 0,5 bar auf den maximalen Druck von 6,0 bar erhöht werden. Eine Erhöhung des Impulsdrucks auf mehr als 6,0 bar kann zu Schäden am Filtergehäuse und am Filter selbst führen.

Wenn die Staubablagerung auf der Filterpatrone nach dem Druckanstieg zunimmt, sollte die Impulsdauer erhöht werden (Einstellung an jedem Pneumatikventil in Millisekunden (ms)), und die Intervalle zwischen den Impulsen sollten reduziert werden (in Minuten (min)).

Die Leistung der magnetgesteuerten Pneumatikventile kann durch Drücken der Test-Taste überprüft werden.

6. Wartung.

6.1 Vorbeugende Wartung.

6.1.1 Staubbehälter

Leeren Sie den Staubbehälter regelmäßig. Überprüfen Sie den Behälter mindestens einmal am Tag oder wenn Sie Strahlmittel nachfüllen. Passen Sie dann die Häufigkeit der Überprüfung der Nutzung der Kabine und der Verunreinigung und Bröckeligkeit des Strahlmittels an.

6.1.2 Luftfilter

Die Kabine ist mit einem manuell entleerbaren Luftfilter ausgerüstet. Entleeren Sie den Filter mindestens einmal täglich oder häufiger, falls notwendig, oder wenn Sie bemerken, dass feiner Nebel aus der Düse austritt. Feuchte Luft behindert den Strahlmittelfluss. Falls weiterhin Feuchtigkeit auftritt, kann es notwendig sein, einen Lufttrockner vorzuschalten.

6.1.3 Strahlmittelschlauch und Kupplungen

Überprüfen Sie den Strahlmittelschlauch auf dünne Stellen entlang des Außenradius, die auf einen erhöhten Verschleiß deuten, um Durchschlagslöcher und daraus resultierende Arbeitsunterbrechungen zu vermeiden. Überprüfen Sie auch die Schlauchverbindungen und Verbindungskrümmen auf Leckagen und Verschleiß.

6.1.4 Сородерживающее сито циклонного сепаратора

Der Zyklonabscheider ist mit einem Schmutzfangsieb ausgestattet, das verhindert, dass Fremdkörper und Rückstände der gereinigten Oberflächen in die Strahlanlage gelangen. Das Sieb muss täglich gereinigt werden.



Das Sieb darf grundsätzlich nicht bei eingeschaltetem Filterkammergebläse gereinigt werden.

Die Maschine darf nicht ohne montiertes Sieb betrieben werden.

Der Zyklon ist mit Türen für den Zugang zum Sieb ausgestattet. Um das Sieb auszubauen, heben Sie es leicht an und drehen Sie es im Uhrzeigersinn. Montieren Sie das Sieb in umgekehrter Reihenfolge.

6.1.5 Dosierventil der Strahlanlage

Das Dosierventil muss regelmäßig auf Verschleiß überprüft werden. Um die Lebensdauer des Ventils zu erhöhen und vorzeitigen Ausfall zu vermeiden, muss die Gummitülle rechtzeitig ausgetauscht werden.

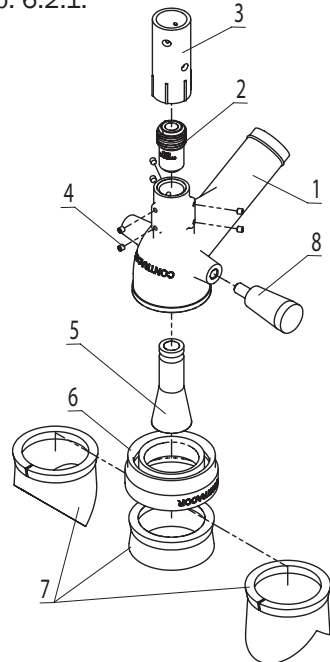
6.2 Wartung.

6.2.1 Austausch von Düsen- und Vakuumpkopfkomponenten

Die Düse muss gewechselt werden, wenn der Düsendurchmesser um 2 mm zugenommen hat oder früher, wenn der Betriebsdruck deutlich abgefallen ist. Um die Düse zu wechseln, führen Sie die folgenden Schritte aus:

1. Nehmen Sie den gewellten Saugschlauch vom Gehäuse des Saugkopfes (1) ab.
2. Schrauben den Saugkopf vom Düsenhalter (3) ab. Überprüfen Sie die Dichtung im Düsenhalter auf Verschleiß und ersetzen Sie ggf. den Düsenhalter. Lösen Sie dazu die Blechschraube, entfernen Sie den Düsenhalter aus dem Strahlschlauch und setzen Sie den neuen Düsenhalter in umgekehrter Reihenfolge ein.
3. Lösen Sie die Schrauben (4).
4. Ziehen Sie die Düse (2) und Diffusor (5) aus dem Gehäuse (1) heraus.
5. Falls erforderlich, ersetzen Sie Düse und Diffusor.
6. Bauen Sie den Kopf in umgekehrter Reihenfolge wieder zusammen.

Abb. 6.2.1.



6.2.2 Austausch der Filterpatrone



Nichtbeachtung der Anforderungen an die Verwendung persönlicher Schutzausrüstung bei der Wartung von Maschine und Staubbehälter oder beim Entleeren des Staubbehälters kann zu erheblichen Augenreizungen, Lungenerkrankungen oder zum Tod führen.

Die Toxizität und das Gesundheitsrisiko hängen von der Art des Strahlmittels und dem Staub ab, der während des Strahlreinigungsprozesses entsteht.

Es muss ein für die jeweilige Staubart geeignetes Atemschutzgerät verwendet werden. Alle durch den Strahlreinigungsvorgang entfernbaren Stoffe müssen bestimmt werden, und es muss ein Sicherheitszertifikat für das Strahlmittel eingeholt werden.

Um die Filterpatrone der Staubbehälterkammer zu wechseln, führen Sie die folgenden Schritte aus:

1. Sperren Sie die Druckluftzufuhr zur Pneumatikeinheit ab.
2. Entlüften Sie den Druckbehälter des Impulsabreinigungs-Systems vollständig.
3. Schrauben Sie die 4 Muttern mit schwarzen Kunststoffgriffen an der Tür der Filterkammer ab und entfernen Sie die Tür.
4. Schrauben Sie die Mutter mit dem schwarzen Kunststoffgriff unter der Filterpatrone ab und entfernen Sie die Unterlegscheiben zur Befestigung der Filterpatrone.
5. Entfernen Sie die Filterpatrone, indem Sie sie nach unten und zu sich ziehen.
6. Prüfen Sie den oberen Metallflansch, gegen den der Dichtring der Filterpatrone anliegt. Auf dem Flansch dürfen sich keine Rückstände des Rings befinden. Reinigen Sie bei Bedarf den Flansch.
7. Montieren Sie die neue Filterpatrone in umgekehrter Reihenfolge. Montieren Sie die Unterlegscheiben in der richtigen Reihenfolge.
8. Schrauben Sie die Mutter mit dem schwarzen Kunststoffgriff so lange auf, bis sich die Filterpatrone nicht mehr von Hand um ihre Achse drehen lässt. Ziehen Sie die Mutter um eine weitere Umdrehung an.
9. Prüfen Sie die Dichtung der Filterkammertür auf Verschleiß. Ersetzen Sie sie bei Bedarf und achten Sie darauf, dass keine Lücken in den Dichtfugen vorhanden sind.
10. Schließen Sie die Filterkammertür und ziehen Sie die 4 Muttern mit schwarzen Kunststoffgriffen an.

6.2.3 Austausch von Druckventil und -sitz

Um das Gummidruckventil (3) und die Gummidichtung (4) auszutauschen, muss die Strahlanlage (2) vom Zyklonabscheider (1) getrennt werden. Lösen Sie hierzu die Schrauben (8) und trennen Sie den Behälter (2) vorsichtig vom Abscheider (1). Prüfen Sie die Gummidichtung (4) auf Verschleiß und Beschädigungen. Entfernen Sie die abgenutzte Dichtung ggf. mithilfe eines Schlitzschraubendrehers, um sie zu ersetzen. Schrauben Sie die Mutter von der Zugangsöffnung (9) ab, halten Sie die Abdeckung der Zugangsöffnung am Gewindeteil fest und entfernen Sie die Abdeckung von der Zugangsöffnung. Schrauben Sie über die Zugangsöffnung die Düse (7) ab, halten Sie dabei den Stift (6) und das Ventil (3) fest und entfernen Sie diese Bauteile vorsichtig von der Strahlanlage (2). Lösen Sie das Ventil (3) vom Stift (6). Schrauben Sie das neue Ventil (3) auf den Stift (6), bauen Sie den Behälter in umgekehrter Reihenfolge wieder zusammen und setzen Sie ihn ein. Ersetzen Sie ggf. die Dichtung (6).

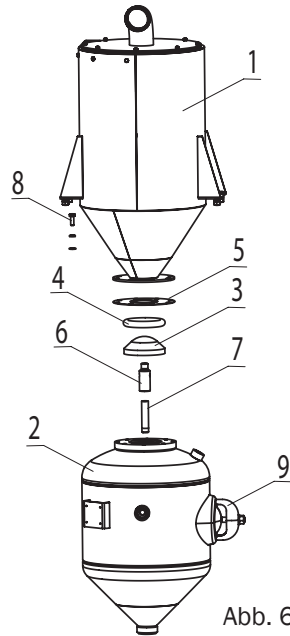


Abb. 6.2.3.

6.2.4 Austausch der Membran und Dichtung des Auslassventils der Strahlanlage

Um die Membran und/oder Dichtung des Auslassventils auszutauschen, führen Sie die folgenden Schritte aus:

1. Ziehen Sie den Ventilsteuerschlauch aus dem Pneumatikanschluss am Deckel (2) heraus.
2. Ziehen Sie den Schlauch vom Stecknippelanschluss des Ventils ab.
3. Greifen Sie die Kupplung unterhalb des Gehäuses (1) mit den Backen eines verstellbaren Schlüssels und schrauben Sie das Auslassventil aus dem Rohr der Strahlanlage heraus.
4. Drehen Sie die Schrauben (6) heraus.
5. Entfernen Sie Deckel (2), Scheibe (5), Membran (3) und die Dichtung (4).
6. Tauschen Sie Membran und/oder Dichtung aus.
7. Für Zusammenbau, Montage und Anschluss des Druckventil gehen Sie in umgekehrter Reihenfolge vor.

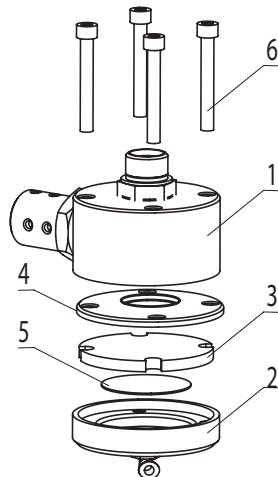


Abb. 6.2.4.

7. Fehlerbehandlung.

Fehler	Mögliche Ursache	Abhilfe
Übermäßiger Strahlmittelverbrauch	Die Tür des Zyklonabscheiders ist entweder offen oder nicht vorhanden, oder die Dichtung ist falsch montiert oder verschlissen. Das Eindringen von Luft in den Zyklonabscheider bewirkt, dass Strahlmittel in die Filterkammer gelangt.	Schließen Sie die Tür des Zyklonabscheiders fest. Falls erforderlich, tauschen Sie die Türdichtung aus. Die Maschine darf nicht mit geöffneter Tür des Zyklonabscheiders betrieben werden.
	Ein Loch, das durch Verschleiß im Zyklonabscheider oder Leckage an den Nähten des Zyklonabscheiders verursacht wird.	Überprüfen Sie den Zyklonabscheider visuell auf Dichtheit.
	Die Verwendung von extrem kleinen, abgenutzten oder weichen Strahlmitteln, die sich schnell auflösen.	Ersetzen Sie das Strahlmittel.
	Ein zu hoher Düsendruck, der für das verwendete Strahlmittel zu hoch ist, führt zur Zersetzung des Materials.	Reduzieren Sie den Druck mit dem Druckminderer am Steuerungspanel.

Fehler	Mögliche Ursache	Abhilfe
Abnahme der Strahlreinigungs-Geschwindigkeit	Unzureichende Strahlmittel-Füllmenge (reduzierter Strahlmittelfluss).	Füllen Sie Strahlmittel nach.
	Falsche Einstellung der Strahlmittel-Dosiervorrichtung (zu viel Strahlmittel im Gemisch mit Druckluft, wodurch Strahlmittel die Düse verstopft).	Stellen Sie die Dosiervorrichtung der Strahlanlage ein.
	Geringer Druck der Druckluft, die der Strahlanlage zugeführt wird.	Stellen Sie den Druck am Druckminderer am Steuerungspanel ein.
	Verstopfung des Strahlmittelschlauchs oder der Düse.	Überprüfen Sie bei ausgeschalteter Vakuumpumpe, ob sich im Zyklonabscheider ein Schmutzfangsieb befindet. Überprüfen Sie die Schleifdüse im Vakuumkopf. Nachdem Sie den Körper des Vakuumkopfes und der Düse aus dem Düsenhalter gelöst und in eine sichere Richtung gerichtet haben, drücken Sie die Taste an der Fernbedienungskonsolle und führen Sie dem Düsenhalter Luft zu, um den Schlauch und den Düsenhalter von Verstopfungen zu befreien.
	Verschleiß der Düse.	Überprüfen Sie die Düse auf Verschleiß und ersetzen Sie ggf. die Düse.
	Verschleiß des Strahlschlauches.	Überprüfen Sie den Schlauch auf Risse und abgenutzte Bereiche. Ersetzen Sie das Teil, wenn es abgenutzt oder beschädigt ist.
	Feuchtes Strahlmittel.	Lassen Sie das Kondensat aus dem Wasserabscheider und dem Filter der Pneumatikeinheit ab.

Fehler	Mögliche Ursache	Abhilfe
Aus der Düse tritt nur Luft aus (kein Strahlmittel).	In der Strahlanlage fehlt es an Strahlmittel (aufgrund von übermäßigem Strahlmittelverbrauch).	Siehe „Übermäßiger Strahlmittelverbrauch“.
	Die Dosiervorrichtung der Strahlanlage ist zu stark geschlossen.	Stellen Sie die Dosiervorrichtung ein.
	Verstopfung der Dosiervorrichtung.	Drücken Sie die Taste auf der Fernbedienung und bitten Sie eine andere Person, Ihnen beim kurzen mehrmaligen Öffnen und Schließen des Kugelhahns zu helfen, um Druckluft in die Strahlanlage zu leiten. Wenn dies nicht hilft, schalten Sie die Maschine aus und demontieren und reinigen Sie die Dosiervorrichtung.
	Die Pneumatikschläuche der Steuerung sind beschädigt.	Überprüfen Sie die Polyurethan-Pneumatikschläuche der Steuerung auf Knicke oder Undichtigkeiten.
	Ausfall der Dosiervorrichtung.	Reparieren oder ersetzen Sie die Dosiervorrichtung.
Aus der Düse strömen weder Strahlmittel noch Druckluft.	Die Strahldüse oder der Schlauch ist verstopft.	Siehe „Abnahme der Strahlreinigungsgeschwindigkeit“.
	Die Strahlanlage ist nicht druckdicht.	Siehe „Die Strahlanlage ist nicht druckdicht“.
	Die Dosiervorrichtung und der Kugelhahn der Strahlanlage sind geschlossen.	Stellen Sie die Dosiervorrichtung ein und öffnen Sie den Kugelhahn zur Druckluftversorgung der Strahlanlage.
	Das Magnet-Sicherheitsventil öffnet nicht.	Achten Sie unter Beachtung der elektrischen Sicherheitsvorschriften darauf, dass die Spule des Magnetventils richtig angeschlossen ist. Falls erforderlich, ersetzen Sie das Ventil.

Fehler	Mögliche Ursache	Abhilfe
Die Strahlreinigung hört nicht auf, wenn die Taste an der Fernbedienungskonsole losgelassen wird.	Das Dreiwegeventil an der Fernbedienungskonsole ist defekt.	Vergewissern Sie sich, dass das Dreiwegeventil an der Fernbedienungskonsole beim Loslassen der Taste den Druck an die Umgebung abgibt. Wenn dies nicht der Fall ist, ersetzen Sie die Fernbedienungskonsole.
Die Strahlanlage ist nicht druckdicht.	Der Strahlanlage wird keine Druckluft zugeführt.	Stellen Sie sicher, dass der Kompressor Druckluft liefert.
	Der Druckminderer ist auf einen zu niedrigen Luftdruck eingestellt.	Stellen Sie den Druck ein. Der Druck darf nicht unter 3 bar liegen.
	Verschlossene Membran des Auslassventils.	Demontieren Sie das Auslassventil der Strahlanlage und prüfen Sie die Membran auf Verschleiß. Falls erforderlich, ersetzen Sie das Teil.
	Die Pneumatikschläuche der Steuerung sind beschädigt.	Überprüfen Sie die Pneumatikschläuche, die die Start-/Stopp-Einheit steuern, auf Knicke oder Undichtigkeiten.
	Das Dreiwegeventil an der Fernbedienungskonsole ist defekt.	Vergewissern Sie sich, dass das Dreiwegeventil an der Fernbedienungskonsole beim Loslassen der Taste den Druck an die Umgebung abgibt. Wenn dies nicht der Fall ist, ersetzen Sie die Fernbedienungskonsole.
	Die Anschlussschläuche der Fernbedienungskonsole sind vertauscht.	Tauschen Sie die Schläuche untereinander aus.

Fehler	Mögliche Ursache	Abhilfe
Die Strahlanlage schaltet sich nicht aus und drucklos oder nur sehr langsam ab.	Das Dreiwegeventil an der Fernbedienungskonsole ist defekt.	Vergewissern Sie sich, dass das Dreiwegeventil an der Fernbedienungskonsole beim Loslassen der Taste den Druck an die Umgebung abgibt. Wenn dies nicht der Fall ist, ersetzen Sie die Fernbedienungskonsole.
	Der Schlauch zur Steuerung des Auslassventils ist gequetscht, beschädigt oder blockiert.	Überprüfen Sie den Schlauch auf Bruch und Beschädigung und ersetzen Sie ihn gegebenenfalls.
Das Strahlmittel-Luft-Gemisch ist mit Strahlmittel übersättigt. Beim Anfahren tritt eine pulsierende Strömung des Strahlmittel-Luft-Gemischs auf.	Der Kugelhahn an der Strahlanlage ist entweder geschlossen oder nicht ausreichend geöffnet.	Öffnen Sie den Kugelhahn vollständig.
	Die Strahlmittel-Dosiervorrichtung ist zu stark geöffnet.	Stellen Sie die Dosiervorrichtung ein. Wenn die Einstellung die Menge des Strahlmittels in der Mischung nicht reduziert, schalten Sie die Maschine aus, entladen Sie das Strahlmittel und demontieren und prüfen Sie die Dosiervorrichtung.
Staubleckage aus der Filterkammer	Die Filterpatrone ist beschädigt oder nicht richtig befestigt.	Schalten Sie die Vakuumpumpe aus. Öffnen Sie die Filterkammertür und vergewissern Sie sich, dass die Filterpatrone ordnungsgemäß installiert und nicht beschädigt ist.
	Defekte Dichtung an der Tür der Staubbehälterkammer.	Schalten Sie die Vakuumpumpe aus. Öffnen Sie die Tür der Filterkammer und überprüfen Sie die Türdichtung auf Integrität und Verschleiß. Falls erforderlich, ersetzen Sie die Dichtung.
Staubleckage am Auslassventil.	Verschlossene Dichtung des Auslassventils.	Ersetzen Sie die Dichtung.



Внимательно ознакомьтесь с технической документацией, инструкцией по эксплуатации и правилам техники безопасности. Большинство несчастных случаев при эксплуатации компрессорной техники происходит из-за несоблюдения правил безопасности. Не допускайте возникновения опасных ситуаций и соблюдайте соответствующие правила техники безопасности.



Производитель оставляет за собой право вносить изменения в конструкцию изделия без предварительного уведомления.

© Contracor ®. Все права защищены.

Перепечатка текста и / или использование графики, допускается только с письменного разрешения Contracor ®.

Производитель оставляет за собой право без уведомления потребителя вносить изменения в конструкцию изделий для улучшения их технологических и эксплуатационных параметров.

Вид изделий может незначительно отличаться от представленных на изображениях.

Содержание

Правила техники безопасности.

- 1.1 Символы, использованные в инструкции
- 1.2 Общие правила безопасности
- 1.3 Меры безопасности при вводе в эксплуатацию.
- 1.4 Меры безопасности при эксплуатации.
- 1.5 Меры безопасности при обслуживании и ремонте.

Устройство и принцип работы

- 2.1 Технические данные.
- 2.2 Назначение.
- 2.3 Принцип работы.

Ввод в эксплуатацию.

- 3.1 Такелажные работы
- 3.2 Габаритные размеры.
- 3.3 Подготовка помещения.
- 3.4 Подсоединение к линии сжатого воздуха.
- 3.5 Пневмосхема.
- 3.6 Подключение к электропитанию и электросхема.

Эксплуатация.

- 4.1 Загрузка и выгрузка абразива
- 4.2 Загрузка и выгрузка деталей
- 4.3 Абразивоструйная обработка
- 4.4 Приостановка и остановка абразивоструйной обработки

Настройка.

- 5.1 Регулировка давления очистки
- 5.2 Изменение количества абразива, подаваемого к соплу
- 5.3 Регулировка очистки фильтров

Техническое обслуживание

- 6.1 Профилактическое обслуживание
- 6.2 Сервисное обслуживание


Устранение неисправностей.

1. Правила техники безопасности.

1.1 Символы, используемые в инструкции.

	Опасно для жизни!
	Предупреждение
	Внимание!

1.2 Общие правила безопасности.

	Вся ответственность за травмы или повреждения, полученные вследствие несоблюдения правил техники безопасности при установке, эксплуатации или обслуживанию, а также при несанкционированном использовании данного оборудования, возлагается на потребителя!
---	---

1. Оператор должен неукоснительно соблюдать правила техники безопасности, предусмотренные этими инструкциями и местным законодательством!
2. При сравнении данных правил безопасности с правилами местного законодательства, необходимо выбирать те, которые предъявляют более жёсткие требования!
3. К эксплуатации, техническому обслуживанию и ремонту оборудования Contracor допускается только обученный обслуживающий персонал с соответствующей степенью профессиональной подготовки!

4. Сжатый воздух непосредственно после компрессора может содержать масла и углекислый газ и не является пригодным для дыхания! Необходимо провести очистку сжатого воздуха до класса чистоты воздуха пригодного для дыхания, соответствующего нормам местного законодательства!
5. Сжатый воздух – источник энергии высокой степени опасности. Запрещается использование сжатого воздуха не по назначению! Не применяйте его для чистки одежды и обуви, не направляйте рукава сжатого воздуха в сторону людей и животных! При использовании воздуха для чистки оборудования, делайте это с особой осторожностью с применением защитных очков!
6. Все работы по техническому обслуживанию, ремонту, настройке, монтажу и т.п. должны производиться при выключенном оборудовании, с отключенным от сети кабелем питания, с отсоединенными от изделия рукавами сжатого воздуха, работы необходимо проводить в защитных очках! Убедитесь, что оборудования отключено от сети сжатого воздуха и не находится под давлением!

1.3 Меры безопасности при вводе в эксплуатацию.



Вся ответственность за травмы или повреждения, полученные вследствие несоблюдения правил техники безопасности при установке, эксплуатации или обслуживанию, а также при несанкционированном использовании данного оборудования, возлагается на потребителя!

1. Разгрузка/погрузка оборудования должна проводиться только при помощи соответствующих приспособлений или подъёмных механизмов. Ручной подъём запрещён. Не оставляйте оборудование в подвешенном состоянии. При разгрузочных работах используйте каску.
2. Разместите изделие в сухом и чистом помещении, исключающем прямого воздействия атмосферных осадков. Помещение должно хорошо проветриваться; при необходимости обеспечьте принудительной вентиляцией. Следует обеспечить свободный доступ ко всем дверям и зонам обслуживания, а также удобство работы с крупными деталями.
3. Запрещается использовать изношенные, поврежденные или испорченные рукава сжатого воздуха. Убедитесь, что рукава по номинальному диаметру и рабочему давлению соответствуют данному оборудованию.
4. При использовании в системе нескольких компрессорных станций, каждый компрессор должен предполагать наличие ручного крана для возможности отсечения любого из них в случае возникновения внештатных ситуаций.
5. Не допускается наличие в атмосферном воздухе взрыво- и пожароопасных примесей, таких как: пары растворителей, углеродная пыль и т.п.

6. Обеспечьте свободный доступ к рукаву сжатого воздуха из компрессора. Не захламляйте его, не храните в непосредственной близости легковоспламеняющиеся материалы.
7. Не пережимайте, не деформируйте подводные рукава сжатого воздуха.
8. Обеспечьте хорошее проветривание помещения.
9. Оборудование должно быть заземлено. Обеспечьте защиту от короткого замыкания. Пусковой рубильник должен находиться в непосредственной близости от оборудования и иметь защиту от несанкционированного запуска.



Потребитель несет полную ответственность за соответствие условий эксплуатации электрических компонентов, установленных в оборудовании.

Эксплуатация оборудования без защитной аппаратуры не допускается. Защитная аппаратура должна обеспечивать защиту электрического платы управления от коротких замыканий, перегрузок (систематической и пусковой) и неполнофазных режимов.

Установка защитной аппаратуры является обязанностью потребителя.

1.4 Меры безопасности при эксплуатации.



Вся ответственность за травмы или повреждения, полученные вследствие несоблюдения правил техники безопасности при установке, эксплуатации или обслуживанию, а также при несанкционированном использовании данного оборудования, возлагается на потребителя!

1. Убедитесь, что рукава по номинальному диаметру и рабочему давлению соответствуют данному оборудованию. Перед запуском проверьте крепление каждого соединения рукава. Не полностью закреплённый рукав может стать причиной серьёзных травм
2. Никогда не включайте оборудование, если есть подозрение на наличие в атмосферном воздухе легковоспламеняющихся примесей!
3. Оператор, использующий дистанционный путь управления оборудованием, должен убедиться, что с изделием не проводится в этот момент никаких монтажных и прочих работ! При этом на оборудовании должна быть прикреплена информационная табличка об этом: **ВНИМАНИЕ:** Эта машина управляется дистанционно и может начать работу без предупреждения!
4. Оператору запрещается работать с оборудованием, если он утомлен, находится под воздействием алкоголя, наркотических средств или лекарственных препаратов, вызывающих замедленную реакцию организма.

5. Запрещается работа оборудования с демонтированными элементами корпуса. Двери или панели могут быть открыты на непродолжительные моменты времени для осмотра и плановых проверок. При это рекомендуется использовать оборудования для защиты органов слуха.



В некоторых типах оборудования открытие дверей или снятие панелей во время работы может привести к его перегреву.

6. Персонал, находящийся в условиях или помещении где уровень звукового давления достигает или превышает значение 90 дБ (А), должен использовать защитные наушники.
7. Если атмосферный воздух, используемый для охлаждения оборудования, применяется при отоплении помещений, примите меры для его фильтрации, чтобы можно было использовать его для дыхания.
8. Периодически проверяйте:
- наличие на своих местах предохранительных устройств и их крепление;
 - исправность и герметичность всех рукавов и трубопроводов;
 - отсутствие утечек;
 - затяжки крепёжных элементов и элементов конструкции;
 - все электрические кабели и контакты на исправность и безопасность;
 - работоспособность предохранительных устройств, наличие грязи и т.п.
 - все элементы конструкции находятся в рабочем состоянии, без износа.

1.5 Меры безопасности при обслуживании и ремонте.



Вся ответственность за травмы или повреждения, полученные вследствие несоблюдения правил техники безопасности при установке, эксплуатации или обслуживанию, а также при несанкционированном использовании данного оборудования, возлагается на потребителя!

1. Разрешается использовать только оригинальные запасные части и вспомогательные принадлежности. Использование запчастей других производителей может привести к непредсказуемым последствиям и, как результат, к несчастным случаям.
2. При проведении монтажных и ремонтных работ всегда используйте защитные очки!

3. Перед подключением или отключением оборудования отсоедините его от основной пневмосети. Убедитесь в отсутствии давления в рукавах!
4. Перед началом монтажных или прочих работ, убедитесь, что оборудование не нагружено давлением. Монтажные работы с оборудованием под давлением запрещены!
5. Все работы по техническому обслуживанию должны проводиться только тогда, когда температура элементов конструкции упадёт до комнатной.
6. Никогда не используйте для чистки элементов конструкции легковоспламеняющиеся растворители или тетрахлорид углерода. При протирке примите меры предосторожности против ядовитых паров чистящих жидкостей.
7. При проведении монтажных и ремонтных работ необходимо закрепить на панель управления информационную табличку для предотвращения несанкционированного запуска. Например, «Не включать. Работают люди!»
8. Содержите помещение, в котором установлено оборудование, в чистоте. Открытые входные и выходные отверстия во время монтажа закрывайте сухой ветошью или бумагой, во избежание попадания мусора в оборудование.
9. Запрещается проводить сварные и прочие подобные работы непосредственно вблизи данного оборудования, а также сосудов, работающих под давлением.
10. При малейшем подозрении на перегрев, воспламенение или другую внештатную ситуацию выключите оборудование. Незамедительно обесточьте его.
11. Запрещается использование источников света с открытым пламенем для осмотра и ревизии оборудования.
12. Никогда не используйте едкие растворители, которые могут повредить материалы пневмосети.
13. После проведения монтажных и прочих работ убедитесь, что внутри не осталось инструмента, ветоши, запасных частей и т.п.
14. Перед началом работы в штатном режиме после технического обслуживания или ремонта, проверьте, что рабочее давление, температура и прочие характеристики выставлены правильно. Убедитесь, что все управляющие и контролирующие устройства установлены и функционируют верно.
15. При замене фильтров, клапанов, протрите сухой ветошью места их крепления от пыли, грязи, остатков масла.
16. Убедитесь, что рабочая зона надлежащим образом вентилируется; если необходимо, используйте респиратор.
17. Используйте защитные перчатки во время монтажных и ремонтных работ.

2. Устройство и принцип работы.



Несоблюдение данных инструкций, использование неоригинальных запчастей, отсутствие гарантийного талона может привести к прекращению действия гарантии.

2.1 Технические данные.

Основные характеристики абразивоструйной установки Contracor BRS-5 приведены ниже:

Характеристики	BRS-5
Объем абразивоструйного аппарата, л	50
Макс. давление сжатого воздуха, бар	10
Статическое давление, мбар	290
Мощность, кВт	5,5
Площадь фильтра, м ²	7,5
Сопло, мм	6,5
Масса, кг	395
Длина абразивоструйного рукава в поставке, м	5
Макс. длина абразивоструйного рукава, м	10

Тип абразива	Оксид алюминия, стальная дробь
Макс. Размер абразива оксид алюминия, мм	1,5
Макс. Размер абразива стальная дробь, мм	1 (G40)

Поверхность	Качество пов-сти	Средняя производ-сть
Сталь (Окалина, ЛКП и/или коррозия)	2(02) / SA	4-6 м ² /час
Сварные швы, сталь	2-1/2	70-80 м/час

* Все указанные значения являются средними и могут варьироваться в зависимости от состояния поверхности, качества абразива и опыта оператора.

2.2 Назначение.

Абразивоструйная установка Contracor BRS предназначена для эффективной абразивоструйной обработки металлических конструкций и деталей при поддержании чистоты окружающей рабочей зоны.

Абразивоструйная обработка применяется для удаления различных не жировых загрязнений, сварочного града и заусенцев, придания шероховатости, поверхностного упрочнения, придания декоративных свойств с использованием оборотного абразива.

Благодаря вакуумной системе восстановления абразива абразивоструйная обработка может производиться вне специальных помещений и камер без загрязнения окружающей зоны абразивом и частицами с обрабатываемых поверхностей. Ещё одним преимуществом данной установки является то, что системы замкнутого цикла и отвода пыли из зоны очистки требуют минимальных защитных мер для обеспечения безопасности оператора.

2.3 Принцип работы.

Сжатый воздух от компрессора подаётся на пневмоблок (1). От пневмоблока (1) воздух непрерывно подаётся в ресивер (8) и к пульта дистанционного управления (2). На ресивере (8) установлен импульсный электромагнитный запорный клапан с таймером (9), который предназначен для кратковременной подачи воздуха через равные промежутки времени к фильтру (12) фильтр-камеры (6) для его встряхивания и очистки от накопившейся пыли. Пульт дистанционного управления (2) в своём нормальном (ненажатом) состоянии выпускает подаваемый на него воздух в атмосферу, а в нажатом состоянии подаёт этот воздух сначала к электромагнитному клапану безопасности, а затем к пропорциональному клапану пневмоблока (1).

При включении установки (поворотом рубильника и нажатием зелёной кнопки на панели электрорящика (13)) подаётся напряжение на электромагнитный клапан безопасности и на электрический вакуумный насос (3). Электромагнитный клапан безопасности открывается. Вакуумный насос (3) создаёт разрежение в фильтр-камере (6), циклонном сепараторе (5) и в рабочей полости вакуумной насадки (4).

Электромагнитный клапан безопасности не позволяет производить абразивоструйную очистку рабочей поверхности при выключенном вакуумном насосе (3).

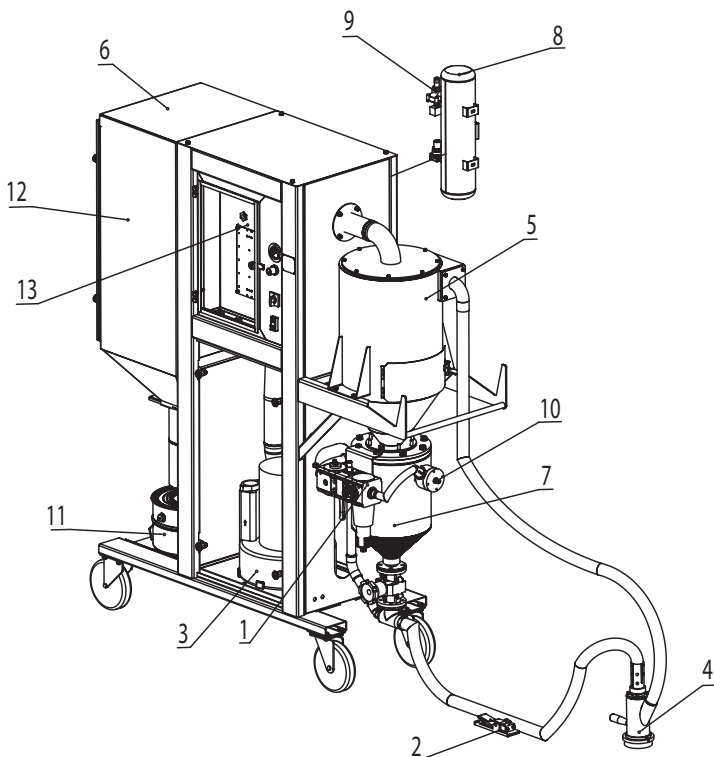
При нажатии на кнопку пульта дистанционного управления (2) (после включения установки) воздух поступает на пропорциональный клапан пневмоблока (1), открывает его и позволяет основному потоку сжатого воздуха от компрессора поступить в абразивоструйный аппарат (7). Также воздух после пропорционального клапана поступает на разгрузочный клапан (10), закрывая его.

Подача воздуха на абразивоструйный аппарат (7) (при закрытом разгрузочном клапане) приводит к его герметизации: запорный клапан бака поднимается вверх и отсекает внутреннее пространство бака от внутреннего пространства циклона. Давление в баке растёт до значения, которое устанавливается оператором с помощью регулятора и манометра на панели электрорящика (13). Избыточное давление в абразивоструйном аппарате (7) заставляет абразив, предварительно засыпанный в бак через дверцу циклонного сепаратора (5), вместе со сжатым воздухом по абразивоструйному рукаву поступать на сопло вакуумной насадки (4).

Таким образом, из сопла выходит абразивоструйная смесь воздуха и абразива, которой и производится обработка рабочей поверхности. Отлетевшие от неё частицы абразива и грязи благодаря разрежению попадают в циклонный сепаратор (5). В циклонном сепараторе (5) более тяжёлые частицы теряют кинетическую энергию и падают вниз, через сито (для отделения крупных частиц грязи), к запорному клапану абразивоструйного аппарата (7), чтобы при его разгерметизации вновь поступить в абразивоструйный аппарат (7). Таким образом, происходит циклическое использование абразива. Более лёгкие частицы пролетают через циклонный сепаратор (5) в фильтр-камеру (6), где происходит их улавливание фильтром (12). Более тяжёлые частицы, пролетевшие в фильтр-камеру, опадают вниз и скапливаются в пылесборнике (11).

По окончании обработки рабочей поверхности оператор убирает руку с пульта дистанционного управления (2). Пропорциональный клапан пневмоблока (1) закрывается. Прекращается подача основного потока сжатого воздуха в абразивоструйный аппарат (7). Разгрузочный клапан (10) открывается и стравливает избыточный воздух из абразивоструйного аппарата (7) в фильтр-камеру (6). Запорный клапан бака (7) открывается, и накопившийся в циклонном сепараторе (5) абразив вновь поступает в абразивоструйный аппарат (7).

Рис. 2.3.



3. Ввод в эксплуатацию.



Перед вводом в эксплуатацию необходимо провести процедуру пусконаладочных работ (ПНР) сертифицированными специалистами.

3.1 Такелажные работы.

Проверьте визуально отсутствие повреждений упаковки, если повреждений нет, поставьте установку рядом с выбранным местом монтажа и распакуйте. Подъем оборудования должно проводиться только при помощи соответствующих приспособлений или подъемных механизмов.

Даже в упаковке держите оборудование в защищенном от воздействия погодных явлений месте.

Обращаться с осторожностью. Сильные удары (толчки, падение) могут нанести непоправимый ущерб.



Присутствие на установке вмятин, сколов и прочих повреждений может привести к прекращению действия гарантии.

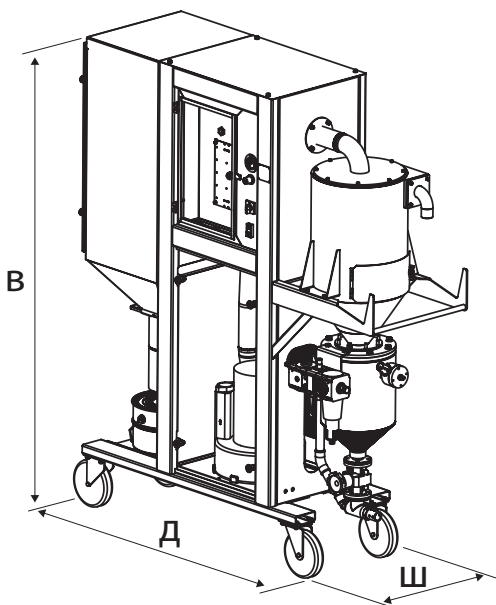



Рис. 3.2.

3.2 Габаритные размеры.

Габаритные размеры установки BRS-5			
Ширина, мм	Длина, мм	Высота, мм	Масса, кг
545	1795	1820	355/395

3.3 Подготовка помещения.

	Размещение установку в ненадлежащих окружающих условиях может привести к потере ее работоспособности вследствие сверхвысоких нагрузок. Такие ситуации не являются гарантийным случаем.
---	--

Требования к установке:

- помещение должно быть чистым, не запыленным, сухим, защищенным от атмосферных явлений;
- пол помещения должен быть ровный, горизонтальный и выдерживать вес установки;
- установка мобильна и не требует крепление к полу;
- следует обеспечить свободный доступ ко всем дверям и зонам обслуживания.

3.4 Подсоединение к линии сжатого воздуха.

Все работы по подключению установки к линии сжатого воздуха должны проводиться при отсутствии давления.

Операции по подключению к линии сжатого воздуха должны производиться только квалифицированным специалистом.

Производительность компрессора под абразивоструйную установку подбирается исходя из размера, применяемого абразивоструйного сопла.

Ø абразивоструйного сопла, мм	ТРЕБУЕМЫЙ РАСХОД СЖАТОГО ВОЗДУХА, м ³ /мин при рабочем давлении, бар			
	3,0	4,0	5,0	6,0
5,0	0,7	0,8	0,9	1,0
6,5	1,3	1,5	1,7	1,9
8,0	2,0	2,5	2,0	3,3

ПРИМЕЧАНИЕ: Указанная в таблице производительность не учитывает потребление воздуха на очистку фильтратрона, работу пульта дистанционного управления и другие расходы. Это необходимо учесть, суммируя потребление воздуха системой. В таблице указан расход воздуха при новом сопле, в изношенном сопле фактический расход воздуха может быть значительно больше.



Превышение допустимого давления может стать причиной травм оператора и повреждений оборудования. Потребитель несет ответственность за последствия превышения давления сверх значения, указанного в настоящем руководстве.

Подсоединение входного патрубка установки к линии сжатого воздуха необходимо осуществлять с помощью гибкого рукава с минимальным внутренним диаметром I.D. = 1". Применение шланга меньшего диаметра может снизить эффективность абразивоструйной обработки.

3.5 Пневмосхема.

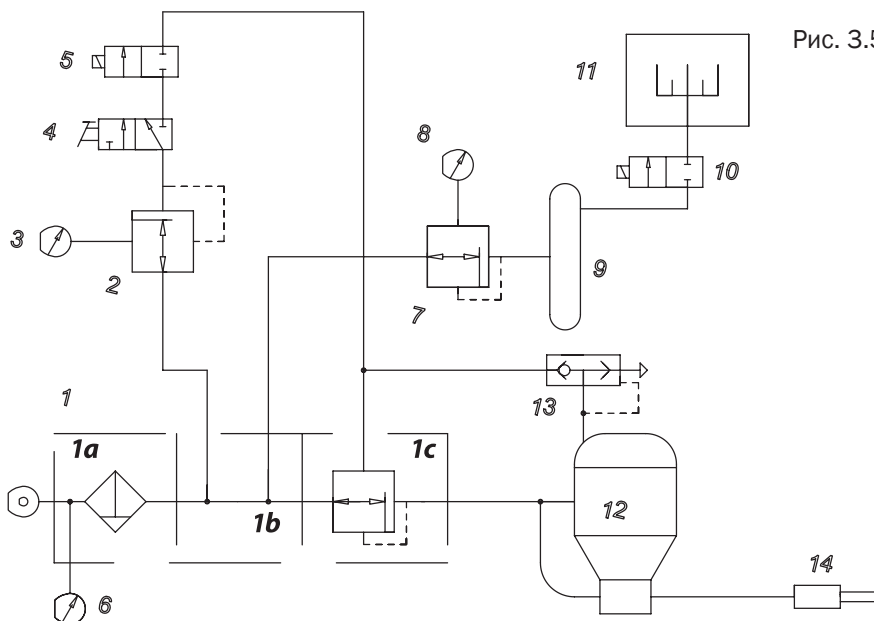


Рис. 3.5.

Обозначения:

1	пневмоблок управления	5	электромагнитный клапан безопасности
1a	фильтр-влагоотделитель	9	ресивер
1b	коллектор	10	импульсный запорный электромагнитный клапан
1c	пропорциональный клапан	11	фильтр фильтр-камеры
2, 7	пневморедукторы (регуляторы давления)	12	абразивоструйный аппарат
3, 6, 8	манометры	13	разгрузочный клапан
4	пульт дистанционного управления	14	абразивоструйное сопло

3.6 Подключение к электропитанию и электросхема.

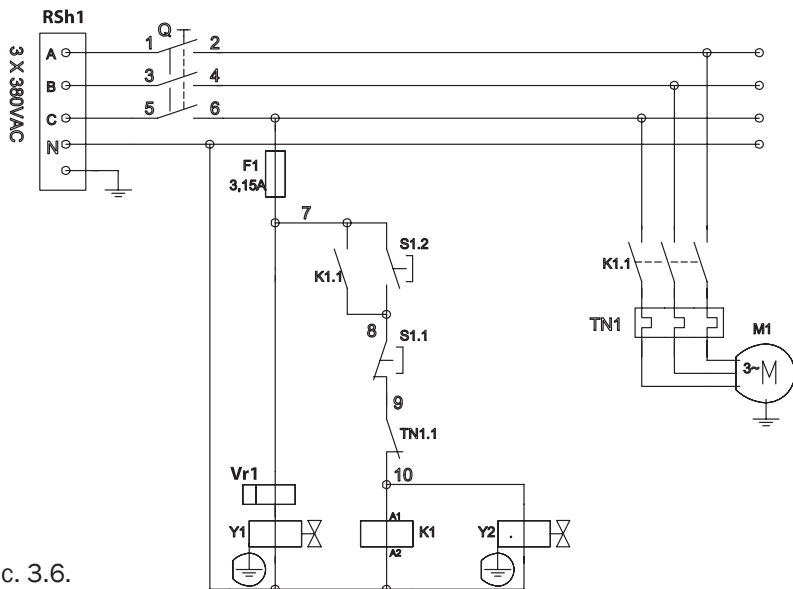


Рис. 3.6.

K1	контактор	F1	предохранитель
S1	кнопка старт, стоп	RSh1	розетка угловая
Q	рубильник	Y2	пневмоклапан
M1	электродвигатель	Vr1	таймер
Y1	имп. пневмоклапан	TN1	тепловое реле



Все работы с электричеством должны выполняться квалифицированным электриком в соответствии с государственными и местными стандартами

Схема соединений входит в комплект поставки установки. После подключения необходимо проверить направление вращения вакуумного насоса, кратковременно включив и выключив выключатель. Направление вращения крыльчатки вакуумного насоса должно совпадать с направлением, указанным наклейкой со стрелкой на корпусе насоса.



Запрещается смотреть в нагнетательный патрубок вакуумного насоса при его работе и проводить эксплуатацию установки с открытыми решётчатыми панелями.

Частицы, вылетающие из нагнетательного патрубка насоса, могут вызвать травму глаз и лица.

4. Эксплуатация.

4.1 Загрузка и выгрузка абразива.

Перед загрузкой абразива выключите установку. Откройте дверцу циклонного сепаратора, засыпьте необходимое количество абразива, подавая его на сито. Закройте дверцу циклонного сепаратора.

Минимальное количество абразива для засыпки в систему: 20 кг.

Рекомендуется к использованию следующие типы абразива:

- оксид алюминия Max 1,5 мм для BRS-5.
- дробь стальная колотая 0,3 - 1,0 мм (G40). Только BRS-5.

4.2 Подготовка к работе.



Перед абразивоструйной обработкой необходимо закрыть дверцу циклонного сепаратора, дверь фильтр-камеры.

1. Подсоедините рукав сжатого воздуха к пневмоблоку, зафиксируйте соединение хомутом. Включите подачу сжатого воздуха к пневмоблоку, убедитесь в отсутствии утечек.
2. Снимите заднюю панель установки. Убедитесь в надёжном соединении всех рукавов. По манометру с помощью пневморедуктора, смонтированного перед ресивером, установите давление 4,5 бар в ресивере. На таймере импульсного электромагнитного клапана установите значение периода срабатывания 2 минуты и значение интервала открытия 100мсек; в процессе работы эти значения могут быть отрегулированы (п.п. 5.3). Установите на место заднюю панель установки.
3. По манометру с помощью пневморедуктора на панели электроящика установите давление очистки 5 бар.
4. Подайте напряжение на установку, повернув рубильник и нажав зелёную кнопку включения. Включится вакуумный насос.

4.3 Абразивоструйная обработка.



Проводите абразивоструйную очистку только в соответствующих средствах индивидуальной защиты, в том числе в защитных очках. Убедитесь в отсутствии посторонних людей без средств индивидуальной защиты в зоне радиусом 5 м от обрабатываемой детали.

1. Размотайте рукава вакуумной головы, возьмите в руки вакуумную голову: одной рукой держите рукоятку, другую положите на пульт дистанционного управления. Установите вакуумную голову на обрабатываемой поверхности. Сняв предохранитель, нажмите на кнопку пульта дистанционного управления. Начнется подача абразивоструйной смеси из сопла.
2. Продолжая нажимать на кнопку пульта дистанционного управления, плавно перемещайте вакуумную голову по обрабатываемой поверхности. Щётка вакуумной головы должна плотно прилегать к обрабатываемой поверхности; в случае перекоса возможна утечка абразива из-под щётки в окружающую среду



Если из пылесборника, циклонного сепаратора, фильтр-камеры или нагнетательного патрубка вакуумного насоса в окружающую среду выходит пыль, необходимо немедленно прекратить абразивоструйную обработку (см. ниже) и отключить установку. Далее следует убедиться в том, что фильтр правильно установлен, не изношен и не повреждены, а дверца фильтр-камеры и циклонного сепаратора герметично закрыты. Продолжительное вдыхание любой пыли может привести к серьезному легочному заболеванию или летальному исходу. Непродолжительное глотание токсичной пыли, например, свинцовой, создает непосредственную угрозу здоровью.

Токсичность и риск для здоровья зависят от пыли, возникающей при абразивоструйной очистке. Необходимо определить все вещества, удаляемые абразивоструйной очисткой и получить сертификат безопасности для абразива.

4.4 Приостановка и остановка абразивоструйной обработки.

Для приостановки процесса абразивоструйной очистки достаточно отпустить кнопку пульта дистанционного управления.

Для прекращения процесса абразивоструйной очистки выполните следующие действия:

1. Отпустите кнопку пульта дистанционного управления.
2. Нажмите красную кнопку OFF (ВЫКЛ.) на панели электротящика для выключения вакуумного насоса.
3. Отключите подачу сжатого воздуха к пневмоблоку.
4. Опорожните пылесборник.

5. Настройка.

5.1 Регулировка давления очистки.

Регулятор давления, расположенный на панели электроящика, позволяет оператору регулировать давление абразивоструйной смеси в зависимости от условий работы.

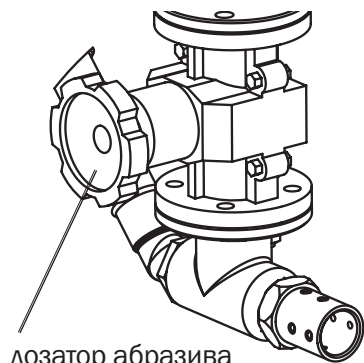
Давление, подходящее для большинства случаев, составляет 5-6 бар. Более низкое давление может потребоваться для очистки хрупких или мягких, тонкостенных предметов или уменьшения разрушения абразива. Более высокое давление может потребоваться для удаления крепкодержавшихся загрязнений, но оно повышает разрушение абразива.

Во всех случаях максимальная производительность достигается только при тщательном контроле давления.

Для регулировки давления необходимо:

1. Вытянуть на себя круглую ручку регулятора давления, расположенную на панели электроящика.
2. Повернуть ручку по часовой стрелке для увеличения давления или против часовой стрелки для снижения давления. По манометру, расположенному на панели электроящика, выставить необходимое давление.
3. Вдавить ручку от себя для блокировки выставленного значения давления.

5.2 Изменение количества абразива, подаваемого к соплу.



дозатор абразива

Рис. 5.2.

Количество подаваемого к соплу абразива регулируется дозатором, расположенным в нижней части абразивоструйного аппарата (см. рис. 5.2).

Закройте подачу абразива, вращая вентиль регулировки по часовой стрелке до упора. Произведите запуск установки на 30 секунд, для продувки рабочей линии. Регулируйте количество подаваемого абразива путем поворачивания вентиля против часовой стрелки на $\frac{1}{2}$ оборота и пробных пусков установки до появления стабильного насыщенного абразивом факела. Производите регулировку при смене, износе или добавлении абразива.

5.3 Регулировка очистки фильтров

Фильтр-камера снабжена автоматической системой импульсной очистки фильтр-патрона. Стандартное давление импульсной очистки составляет 4 - 5 бар. Давление очистки выставляется с помощью регулятора давления, установленного на ресивере системы очистки и контролируется по манометру.

Если пульсация недостаточно очищает фильтр-патрон, необходимо увеличивать давление импульса интервалами по 0,5 бар до максимального значения 6,0 бар. Увеличение давления импульса более 6,0 бар может вызвать повреждение корпуса фильтра и самого фильтра.

Если после увеличения давления осадок пыли на фильтр-патроне увеличивается, следует увеличить продолжительность каждого импульса (выставляется на каждом пневмоклапане по шкале в миллисекундах (ms)) и уменьшить время периода между импульсами (по шкале в минутах (min)).

Проверку работоспособности пневмоклапанов с электромагнитным управлением можно произвести, нажав на кнопку Test.

6. Техническое обслуживание.

6.1 Профилактическое обслуживание

6.1.1 Пылесборник

Необходимо регулярно опорожнять ведро-пылесборник. Сначала следует проверять пылесборник не реже одного раза в день или при добавлении абразива, затем следует определить частоту проверок, учитывая интенсивность эксплуатации, загрязненность и стираемость абразива.

6.1.2 Фильтр воздушной магистрали

Пневмоблок установки оснащён фильтром-влажнотделителем с ручным сливом. Следует вручную сливать конденсат, по крайней мере, один раз в день, а при необходимости чаще (если на выходе абразивоструйного сопла наблюдается водяной туман).

Если ручной слив приходится производить слишком часто, вероятно, необходимо использование осушителя сжатого воздуха.

6.1.3 Абразивоструйный рукав и соединения

Регулярно визуально проверяйте абразивоструйный рукав на наличие изношенных участков (особенно в местах изгиба). На поверхности рукава не должно быть трещин, надломов.

Регулярно проверяйте соплодержатель и абразивоструйное сопло на наличие износа и повреждений.

6.1.4 Соросудерживающее сито циклонного сепаратора

Циклонный сепаратор оснащён соросудерживающим ситом, препятствующим попаданию в абразивоструйный аппарат посторонних предметов и продуктов очистки поверхностей. Необходимо ежедневно очищать сито.



Категорически запрещается производить очистку сита при включённом вентиляторе фильтр-камеры.

Запрещается эксплуатировать установку, если сито не установлено на место.

Для доступа к ситиу циклон оснащён дверцей.

Для съёма сита необходимо приподнять его и повернуть по часовой стрелке. Установку сита производить в обратном порядке.

6.1.5 Дозирующий вентиль абразивоструйного аппарата

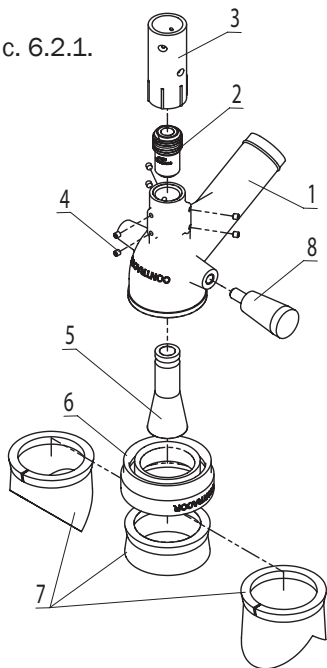
Дозирующий вентиль должен регулярно осматриваться на предмет износа. Для увеличения срока службы и предотвращения преждевременного выхода из строя вентиля, необходимо своевременно заменять резиновую втулку.

6.2 Сервисное обслуживание.

6.2.1 Замена сопла и деталей вакуумной насадки

Следует заменять сопло, если диаметр его проходного сечения увеличился на 2 мм, или раньше, если рабочее давление заметно уменьшилось.

Рис. 6.2.1.



Для замены сопла:

Снимите гофрированный вакуумный рукав с корпуса вакуумной насадки (1).

Открутите вакуумную насадку с соплодержателя (3). Проверьте уплотнитель в соплодержателе на износ и при необходимости замените соплодержатель. Для этого выкрутите саморезы, снимите соплодержатель с абразиво-струйного рукава и установите новый соплодержатель в обратном порядке.

Открутите винты (4).

Вытащите сопло (2) и диффузор (5) из корпуса (1).

При необходимости замените сопло и диффузор.

Соберите голову в обратном порядке.

Для замены щётки:

Рабочая щётка (7) и резиновый адаптер щётки (6) крепятся к вакуумной насадке без крепежа, в натяг. Не прилагая больших усилий, снимите их с вакуумной насадки. При необходимости - замените.

6.2.2 Замена фильтр-патрона



Невыполнение требования об использовании средств индивидуальной защиты при обслуживании запыленных зон установки и пылесборника, а также при опорожнении ведра-пылесборника может привести к серьезному раздражению глаз, заболеваниям легких или летальному исходу.

Токсичность и риск для здоровья зависят от типа абразива и пыли, возникающей при абразивоструйной обработке.

Респиратор должен быть допущен к применению с соответствующим типом возникающей пыли.

Необходимо определить все материалы, удаляемые струйной очисткой и получить сертификат безопасности для абразива.

Для замены фильтр-патрона пылесборной камеры выполните следующие действия:

1. Закройте подачу сжатого воздуха к пневмоблоку.
2. Полностью стравите воздух из ресивера системы импульсной очистки.
3. Открутите 4 гайки с черными пластиковыми ручками на двери фильтр-камеры и снимите дверь.
4. Открутите гайку с черной пластиковой ручкой и под фильтр-патроном, снимите шайбы крепления фильтр-патрона.
5. Снимите фильтр-патрон, потянув его вниз и на себя.
6. Осмотрите верхний металлический фланец, к которому прилегало герметизирующее кольцо фильтр-патрона. На фланце не должно быть остатков кольца. При необходимости очистите фланец.
7. Установите новый фильтр-патрон в обратном порядке. Соблюдайте порядок установки шайб.
8. Закрутите гайку с черной пластиковой ручкой, пока фильтр-патрон будет невозможно повернуть вокруг оси вручную. Дополнительно затяните гайку еще на один оборот.
9. Проверьте на износ уплотнитель двери фильтр-камеры. При необходимости замените его, убедившись в отсутствии зазора в стыках уплотнителя.
10. Закройте дверь фильтр-камеры, затяните 4 гайки с черными пластиковыми ручками.

6.2.3 Замена герметизирующего клапана и седла.

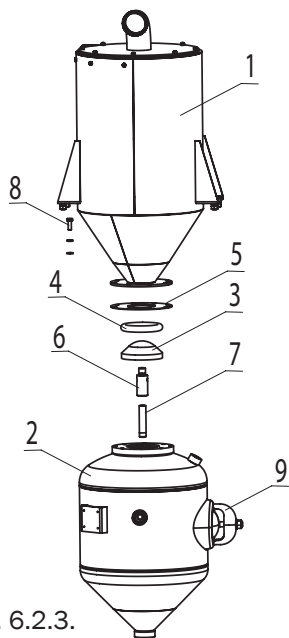


Рис. 6.2.3.

Для замены резинового герметизирующего клапана (3) и резинового уплотнителя (4) необходимо отсоединить абразивоструйный аппарат (2) от циклонного сепаратора (1). Для этого выкрутите болты (8) и осторожно отсоедините бак (2) от сепаратора (1). Проверьте резиновый уплотнитель (4) на износ и повреждения. При необходимости замените его, используя для демонтажа изношенного уплотнителя плоскую отвёртку. Открутите гайку технического лючка (9) и, придерживая крышку лючка за резьбовую часть, снимите крышку с лючка. Через технический лючок открутите патрубок (7) с надетыми на него штоком (6) и клапаном (3) и осторожно достаньте эти детали из аппарата (2). Открутите клапан (3) со штока (6). Накрутите на шток (6) новый клапан (3), соберите и установите бак в обратном порядке, при необходимости заменив прокладку (6).

6.2.4 Замена диафрагмы и прокладки разгрузочного клапана абразивоструйного аппарата.

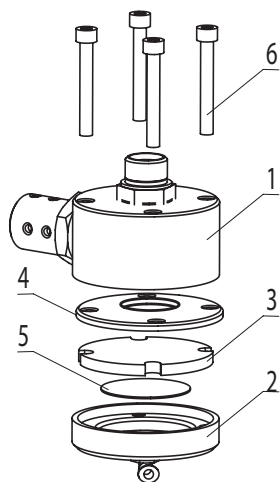


Рис. 6.2.4.

Для замены диафрагмы и/или прокладки разгрузочного клапана выполните следующие действия:

1. Вытащите шланг управления клапаном из пневмофитинга на крышке (2).
2. Снимите рукав с фитинга-елки клапана.
3. Обхватив губками разводного ключа муфту снизу корпуса (1), открутите разгрузочный клапан с патрубком абразивоструйного аппарата.
4. Открутите винты (6).
5. Снимите крышку (2), диск (5), диафрагму (3) и прокладку (4).
6. Замените диафрагму и/или прокладку.
7. Соберите, установите и подключите разгрузочный клапан в обратном порядке.

7. Устранение неисправностей.

Неисправность	Возможная причина	Способ устранения
Чрезмерно высокое потребление абразива	Открыта или находится не на месте дверца циклонного сепаратора, плохо установлен или изношен уплотнитель. Проникновение воздуха в этом месте в циклонный сепаратор вызывает движение абразива в фильтр-камеру.	Плотно закройте дверцу циклонного сепаратора. При необходимости замените уплотнитель дверцы. Эксплуатация установки с открытой дверцей циклонного сепаратора запрещается!
	Вызванное износом отверстие в циклонном сепараторе или утечка в швах циклонного сепаратора.	Визуально проверьте циклонный сепаратор на наличие негерметичностей.
	Применение слишком мелкого, изношенного или мягкого абразива, который быстро разрушается	Произведите замену абразива.
	Слишком высокое для применяемого абразива давление в сопле вызывает разрушение материала	Уменьшите давление с помощью регулятора на панели электроящика.

Неисправность	Возможная причина	Способ устранения
Снижение скорости абразивоструйной очистки	Недостаточное количество засыпанного абразива (снижение потока абразива)	Добавьте абразив.
	Неправильная регулировка дозатора абразива (слишком много абразива в смеси с сжатым воздухом, абразив забивает сопло)	Произведите регулировку дозатора абразивоструйного аппарата.
	Низкое давление сжатого воздуха, подаваемого к абразивоструйному аппарату	Произведите регулировку давления с помощью регулятора на корпусе электроящика.
	Закупоривание абразивного рукава или сопла	<p>При выключенном вакуумном насосе проверьте наличие сороудерживающего сита в циклонном сепараторе. Осмотрите абразивоструйное сопло в вакуумной голове.</p> <p>Открутив корпус вакуумной головы с соплом из соплодержателя и направив его в безопасном для себя и других людей направлении, нажмите на кнопку пульта дистанционного управления, подав воздух на соплодержатель, чтобы очистить рукав и соплодержатель от засора.</p>
	Износ сопла	Произведите проверку сопла на износ, при необходимости замените сопло.
	Износ абразивоструйного рукава	Проверьте рукав на отсутствие разрывов и изношенных участков. Замените в случае износа или повреждения.
	Влажный абразив	Произведите слив конденсата из фильтра-влагоотделителя пневмоблока

Неисправность	Возможная причина	Способ устранения
Из сопла идет только воздух (абразив не поступает)	Отсутствие абразива в абразивоструйном аппарате (вследствие чрезмерного потребления)	См. «Чрезмерно высокое потребление абразива».
	Чрезмерно перекрыт дозатор абразивоструйного аппарата	Произведите регулировку дозатора.
	Засорение дозатора	Нажмите на кнопку пульта дистанционного управления, попросите помощника сделать несколько кратковременных открытий и закрытий шарового крана на подаче сжатого воздуха в абразивоструйный аппарат. Если это не помогло, выключите установку, произведите разборку и очистку дозатора.
	Повреждены шланги пневмосистемы управления	Проверьте управляющие полиуретановые пневморукава на наличие перегибов или утечек.
	Выход дозатора из строя	Произведите ремонт или замену дозатора.
Ни абразив, ни сжатый воздух не выходят из сопла	Засорено абразивоструйное сопло или рукав	См. «Снижение скорости абразивоструйной очистки».
	Абразивоструйный аппарат не герметизируется	См. «Абразивоструйный аппарат не герметизируется».
	Перекрыты дозатор и шаровый кран абразивоструйного аппарата	Произведите регулировку дозатора, откройте шаровый кран подачи сжатого воздуха на абразивоструйном аппарате.
	Не открывается электромагнитный клапан безопасности	С соблюдением правил электробезопасности убедитесь, что катушка электромагнитного клапана подключена правильно. При необходимости замените клапан.

Неисправность	Возможная причина	Способ устранения
Абразивоструйная очистка не останавливается после отпускания кнопки пульта дистанционного управления	Неисправность трехпроходного клапана пульта дистанционного управления	Убедитесь, что трехходовой клапан пульта дистанционного управления стравливает давление в окружающую среду после отжатия кнопки. Если этого не происходит, замените пульт дистанционного управления.
Абразивоструйный аппарат не герметизируется	Нет подачи сжатого воздуха к абразивоструйному аппарату	Убедитесь, что от компрессора поступает сжатый воздух.
	Регулятор давления выставлен на слишком низкое давление сжатого воздуха	Произведите регулировку давления. Давление не должно быть ниже 3 бар.
	Изношена диафрагма рагрузочного клапана	Разберите разгрузочный клапан абразивоструйного аппарата, осмотрите диафрагму на предмет износа. При необходимости замените ее
	Повреждены шланги пневмосистемы управления	Проверьте управляющие блоком запуска/остановки пневмошланги на наличие перегибов или утечек.
	Неисправность трехпроходного клапана пульта дистанционного управления	Убедитесь, что трехходовой клапан пульта дистанционного управления стравливает давление в окружающую среду после отжатия кнопки. Если этого не происходит, замените пульт дистанционного управления.
	Перепутаны шланги подключения пульта дистанционного управления	Поменяйте шланги местами.
Не происходит отключение и разгерметизация абразивоструйного аппарата или происходит медленно	Неисправность трехпроходного клапана пульта дистанционного управления	Убедитесь, что трехходовой клапан пульта дистанционного управления стравливает давление в окружающую среду после отжатия кнопки. Если этого не происходит, замените пульт дистанционного управления.
	Пережат, поврежден или засорен шланг управления рагрузочным клапаном	Проверьте шланг на наличие переломов, повреждений, при необходимости замените его.

Неисправность	Возможная причина	Способ устранения
Абразивовоздушная смесь пересыщена абразивом	Закрит или недостаточно открыт шаровый кран на абразивоструйном аппарате	Откройте шаровый кран полностью.
Пulsации потока абразивовоздушной смеси во время запуска	Дозатор абразива открыт чрезмерно	Произведите регулировку дозатора. Если регулировка не приводит к изменению количества абразива в смеси, отключите установку, произведите выгрузку абразива, а затем разборку и осмотр дозатора.
Утечка пыли из фильтр-камеры	Поврежден или плохо закреплен фильтр-патрон	Выключите вакуумный насос. Откройте дверцу фильтр-камеры и убедитесь в правильной установке фильтр-патрона, а также в отсутствии его повреждений.
	Неисправно уплотнение на дверце пылесборной камеры	Выключите вакуумный насос. Откройте дверцу фильтр-камеры и убедитесь в целостности и отсутствии износа уплотнения дверцы. При необходимости замените уплотнение.
Утечка пыли из разгрузочного клапана	Изношена прокладка разгрузочного клапана	Замените прокладку